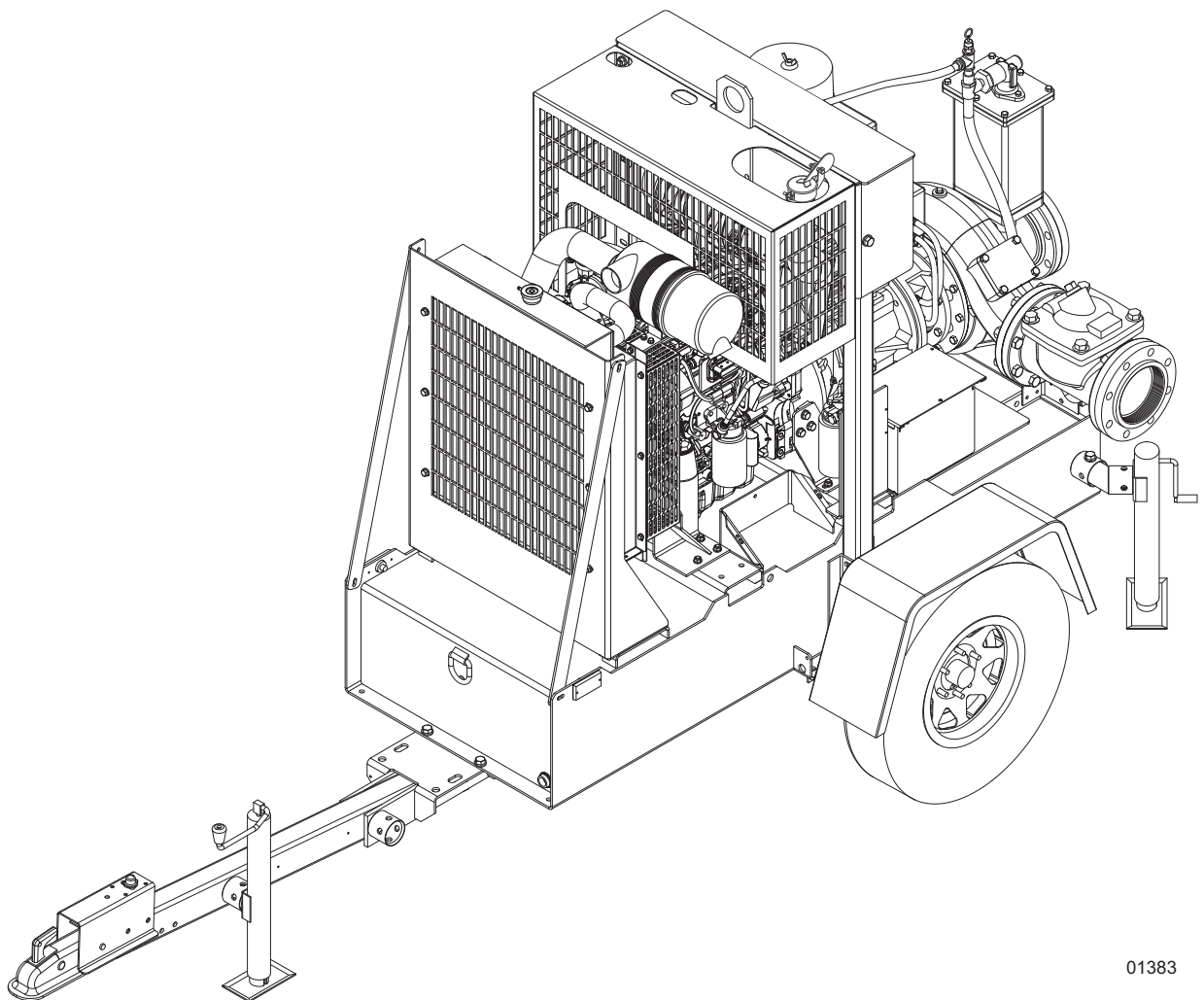


GENERAC[®]

**MOBILE
PRODUCTS**

**DRY-PRIME DIESEL TRASH PUMP
MTP6000DZV**



01383

PARTS MANUAL

▲ WARNING

CALIFORNIA PROPOSITION 65 WARNING: Diesel engine exhaust and some of its constituents are known to the state of California to cause cancer, birth defects, and other reproductive harm.

▲ WARNING

CALIFORNIA PROPOSITION 65 WARNING: This product contains or emits chemicals known to the state of California to cause cancer, birth defects, and other reproductive harm.

Introduction

This parts manual was prepared based on the information available at the time of publication and is subject to change without notice. Generac Mobile Products, LLC reserves the right to change parts at any time. To check whether a revised parts manual is available, contact Generac Mobile Products, LLC.

DO NOT MODIFY or use this equipment for any application other than which it was designed for. To keep your equipment fully operational, it is suggested you maintain a stock of commonly used maintenance or service parts. A recommended spare parts list can be found in the back of this manual. To order service parts, please go to the Generac website or call Generac Mobile Products, LLC.

▲ WARNING

Before operating or servicing this equipment, read and understand the Generac Operating Manual which was included with the unit when shipped from the factory.

Failure to do so increases the risk of injury to yourself or others.

GENERAC MOBILE PRODUCTS, LLC

215 Power Drive • Berlin, WI 54923 U.S.A.

Phone: 920-361-4442

FAX: 920-361-4416

Toll Free: 1-800-926-9768

www.generacmobile.com

For technical or parts QUESTIONS, please contact the Generac Mobile Products, LLC Customer Support or Technical Support team at 1-800-926-9768.

Engine Make: _____

Engine Serial Number: _____

Engine Model Number: _____

Pump Make: _____

Pump Model Number: _____

Pump Serial Number: _____

Unit Model Number: _____

Unit Serial Number: _____

This Page Intentionally Left Blank

Table of Contents

Parts Manual Instructions.....	1
Unit Decals - Left Side.....	2
Unit Decals - Right Side.....	3
Control Box Assembly.....	4
Air Filter Assembly.....	6
Exhaust System Assembly.....	8
Cooling System Assembly.....	10
Engine and Pump to Skid Assembly.....	12
Engine Assembly - Left Side.....	14
Engine Assembly - Right Side.....	16
External Pump Assembly.....	18
Pump Air Compressor Assembly.....	20
Bearing Frame Assembly.....	22
Priming Chamber Assembly.....	24
Internal Pump Assembly.....	26
Lift Support Assembly.....	28
Fuel Tank Assembly (1 of 2).....	30
Fuel Tank Assembly (2 of 2).....	32
Trailer Assembly.....	34
Trailer Hitch Options.....	36
Axle Assembly.....	38
Trailer Brake Lines.....	40
Recommended Spare Parts List.....	42

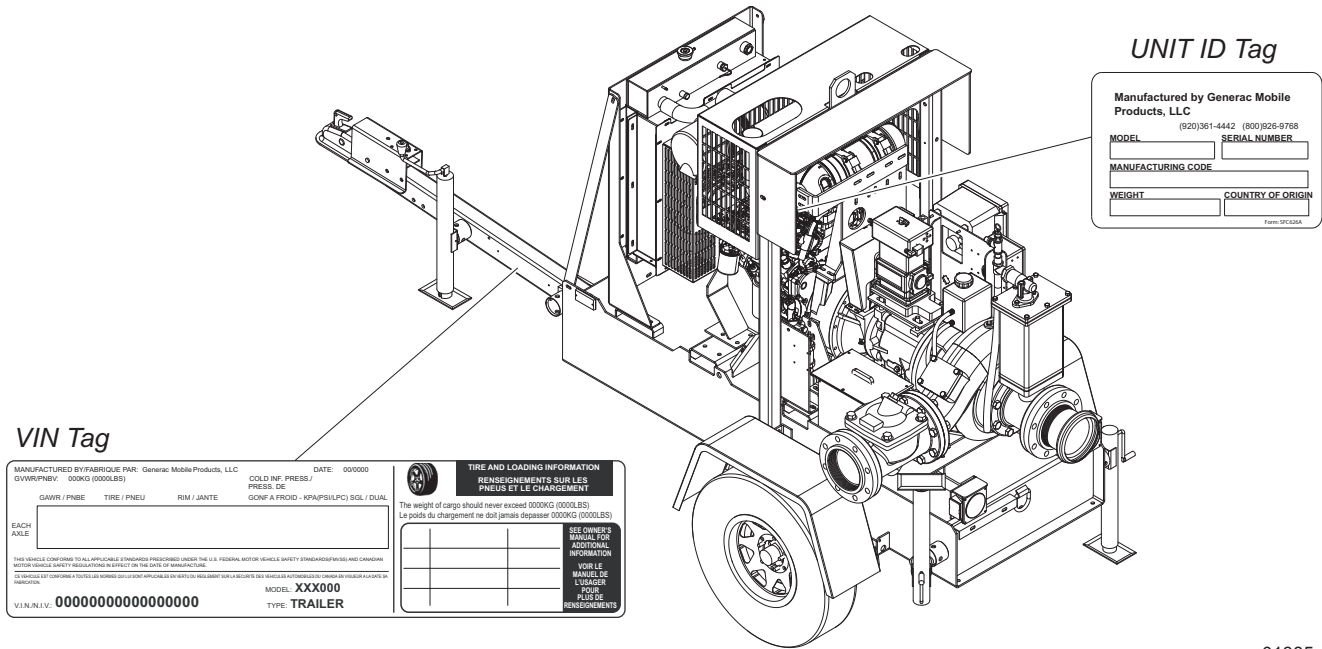
This Page Intentionally Left Blank

Parts Manual Instructions

Product illustrations are only representations. Products supplied may vary from the illustrations in this parts manual. Parts not shown in the illustration are indicated by a double dash (--) in the item column.

Please be prepared to provide the following information when ordering replacement parts: model number, serial number (on unit serial tag), part number, purchase order number (if applicable), shipping address, shipping method.

Refer to the illustration below to locate the unit ID tag and Vehicle Identification Number (VIN) tag on the unit. Important information, such as the unit serial number, model number, VIN and tire loading information are found on these tags. Record the information from these tags so it is available if the tags are lost or damaged. When ordering parts or requesting assistance, you may be asked to provide this information.



VIN Tag

MANUFACTURED BY/FABRIQUE PAR: Generac Mobile Products, LLC		DATE: 00/0000
GVWR/PNEU: 000KG (0000LBS)		COLD INF. PRESS./ PRESS. DC
GAWR / PNEU	TIRE / PNEU	RIM / JANTE
		GONF A FROID - KPA/Psi(L/PC) SOL / DUAL
EACH AXLE:		
<small>THIS VEHICLE CONFORMS TO ALL APPLICABLE STANDARDS PRESCRIBED UNDER THE U.S. FEDERAL MOTOR VEHICLE SAFETY STANDARDS (FMVSS) AND CANADIAN MOTOR VEHICLE SAFETY REGULATIONS IN EFFECT TO THE DATE OF MANUFACTURE.</small> <small>CE VEHICULE EST CONFORME A TOUTES LES NORMES D'UTILISATION APPLICABLES EN VERTU DE LA LOI EN MATIERE DE SECURITE DES VEHICULES AUTOMOBILES, CANADIENNE OU AMERICAINE EN VIGUEUR A LA DATE DE FABRICATION.</small>		
MODEL: XX000		TIRE AND LOADING INFORMATION RENSEIGNEMENTS SUR LES PNEUS ET LE CHARGEMENT <small>The weight of cargo should never exceed 2000KG (2000LBS)</small> <small>Le poids du chargement ne doit jamais dépasser 2000KG (2000LBS)</small>
V.I.N./N.I.V.: 000000000000000000		
TYPE: TRAILER		<small>SEE OWNER'S MANUAL FOR ADDITIONAL INFORMATION</small> <small>VOIR LE MANUEL DE L'USAGER POUR PLUS DE RENSEIGNEMENTS</small>

UNIT ID Tag

Manufactured by Generac Mobile Products, LLC	
<small>(920)361-4442 (800)926-9788</small>	
MODEL	SERIAL NUMBER
MANUFACTURING CODE	
WEIGHT	COUNTRY OF ORIGIN
<small>Form: 07C25A</small>	

01385

UNIT DECALS - LEFT SIDE

PUMP OPERATION

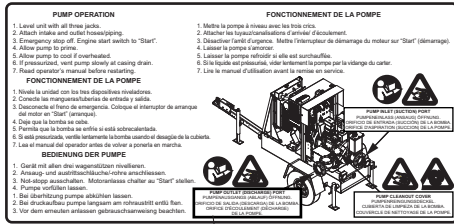
1. Level unit with all three jacks.
2. Attach the front wheel chock.
3. Engage the oil. Engine start switch to "Start".
4. Allow pump to prime.
5. Allow pump to run 10 seconds.
6. If necessary, vent pump slowly at casing drain.
7. Read operator's manual before starting.

FUNCTIONNEMENT DE LA POMPE

1. Nivelé la unité con los tres dispositivos niveladores.
2. Conecte las mordazas de bloqueo de rueda y el eje.
3. Desconecte el freno de emergencia. Coloque el interruptor de arranque del motor en "Start" (arranque).
4. Espere que la bomba se llene.
5. Si es necesario, ventile lentamente la bomba desde el desagüe de la cubierta.
6. Lea el manual del operador antes de comenzar a operar la máquina.
7. Lea el manual del operador antes de comenzar a operar la máquina.

FUNCTIONNEMENT DE LA POMPE

1. Mettre la pompe à niveau avec les trois crics.
2. Attacher les bloques/chaussures d'arrêt de roue/arrière.
3. Désactiver l'arrêt d'urgence. Mettre l'interrupteur de démarrage du moteur sur "Start" (démarrage).
4. Laisser la pompe à remplir.
5. Laisser la pompe fonctionner 10 s sans interruption.
6. Si la liquide est nécessaire, vider lentement la pompe par le vidange du carter.
7. Lire le manuel d'utilisation avant la remise en service.



WARNING

This pump is designed for use only with water containing suspended solids. Do not operate in an explosive environment. Do not operate with any fluids, except as otherwise indicated or specified. Always use the correct and correct safety device may occur.

ADVERTENCIA

Esta bomba está diseñada para usarse solo con agua que contenga sólidos en suspensión. No la haga funcionar en un ambiente explosivo. No opere con ningún fluido, excepto como se indique o especifique. Siempre use el dispositivo de seguridad correcto y correcto. Siempre use el dispositivo de seguridad correcto.

AVVERTISSEMENT

Cette pompe est conçue pour être utilisée uniquement avec de l'eau contenant des matières solides en suspension. Ne pas faire fonctionner la pompe dans un environnement explosif. Ne pas utiliser avec des fluides ou des liquides autres que ceux indiqués ou spécifiés. Toujours utiliser le bon dispositif de sécurité approprié.

WARNING

Pump can automatically start which can cause serious injury. Disconnect before before working.

ADVERTENCIA

Bomba puede arrancar automáticamente. Evitar lesiones personales. Desconecte la fuente antes de realizar el servicio técnico.

AVVERTISSEMENT

La pompe peut déclencher automatiquement. Éviter les blessures graves. Débrancher la before avant de faire l'entretien.

WARNING

WARNING

ADVERTENCIA

AVERTISSEMENT

WARNING

WARNING

ADVERTENCIA

AVERTISSEMENT

ULTRA LOW SULFUR FUEL ONLY

S515 mg/kg

DANGER

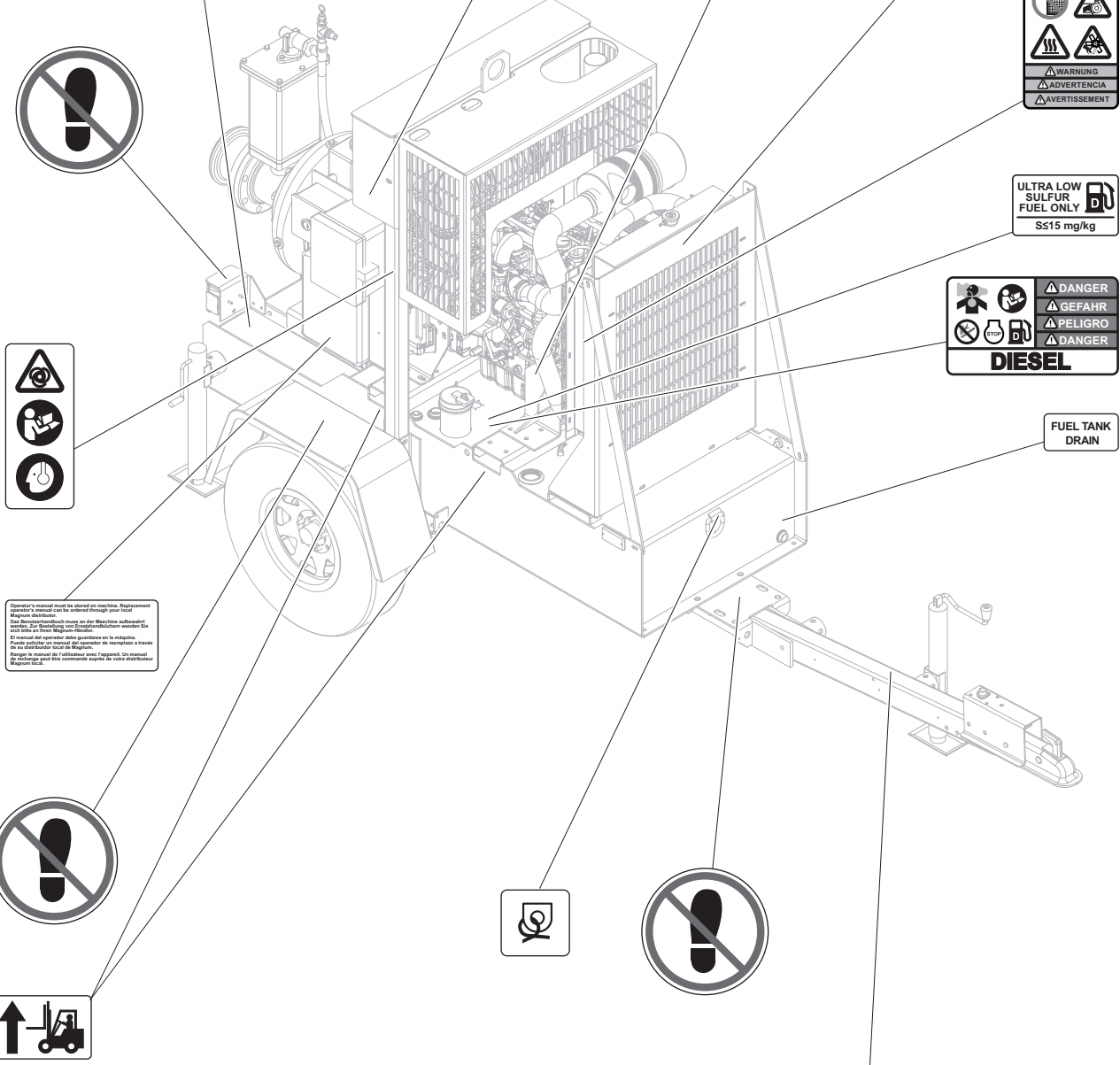
GEFAHR

PELIGRO

DANGER

DIESEL

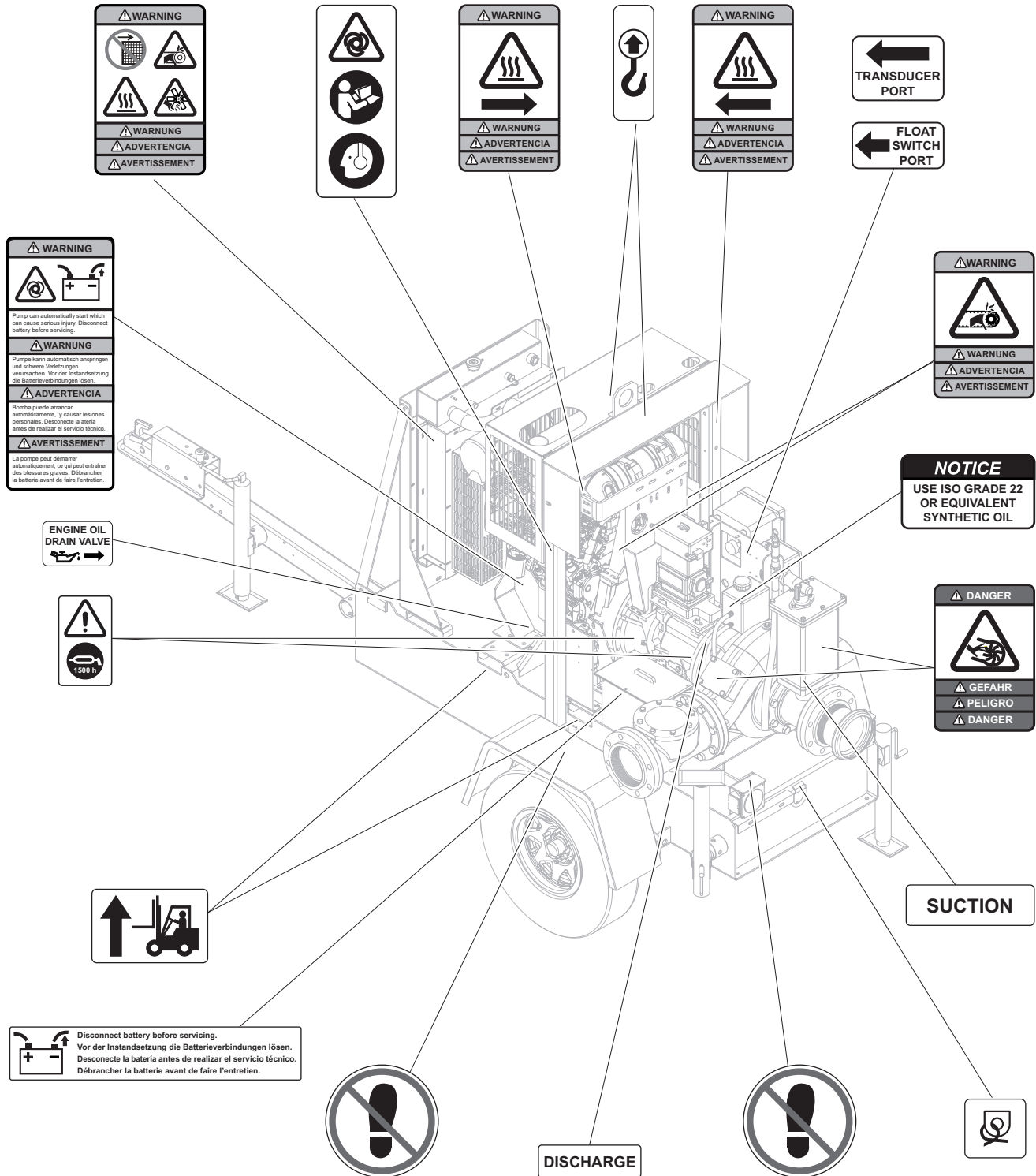
FUEL TANK DRAIN



<p>TOWING INSTRUCTIONS</p> <ol style="list-style-type: none"> 1. Read operator's manual. 2. Use hitch rated for trailer's gross vehicle weight (GVW). 3. Always attach safety chains using a cross pattern. 4. Check trailer lights. 	<p>ABSCHLEPPINSTRUKTIONEN</p> <ol style="list-style-type: none"> 1. Betriebsvorschrift lesen. 2. Anhängervorrichtung verwenden, die die Gesamtanzugschwerlast (GVW) unterstützt. 3. Immer sicher die Sicherheitsketten mit Kreuzmuster anbringen. 4. Anhängerleuchten prüfen. 	<p>INSTRUCCIONES DE REMOLQUE</p> <ol style="list-style-type: none"> 1. Lea el manual del operador. 2. Utilice un enganche correctamente clasificado para la "Carga de peso bruto" del vehículo de remolque. 3. Asegure las cadenas correctamente al remolque de modo cruzado. 4. Fije en cruz las cadenas de seguridad. 5. Fije en el vehículo de remolque la cadena de desenganche. 6. Compruebe las luces del remolque. 	<p>INSTRUCTIONS DE REMORQUAGE</p> <ol style="list-style-type: none"> 1. Lire le notice d'emploi. 2. Utiliser un crochet d'attelage conforme au poids nominal du poids brut du véhicule tracté. 3. Attacher les chaînes de sécurité en utilisant une méthode croisée. 4. Vérifier les lampes de la remorque.
---	--	--	--

Note: All safety and operating decals are located on decal sheet 31615 unless otherwise noted.

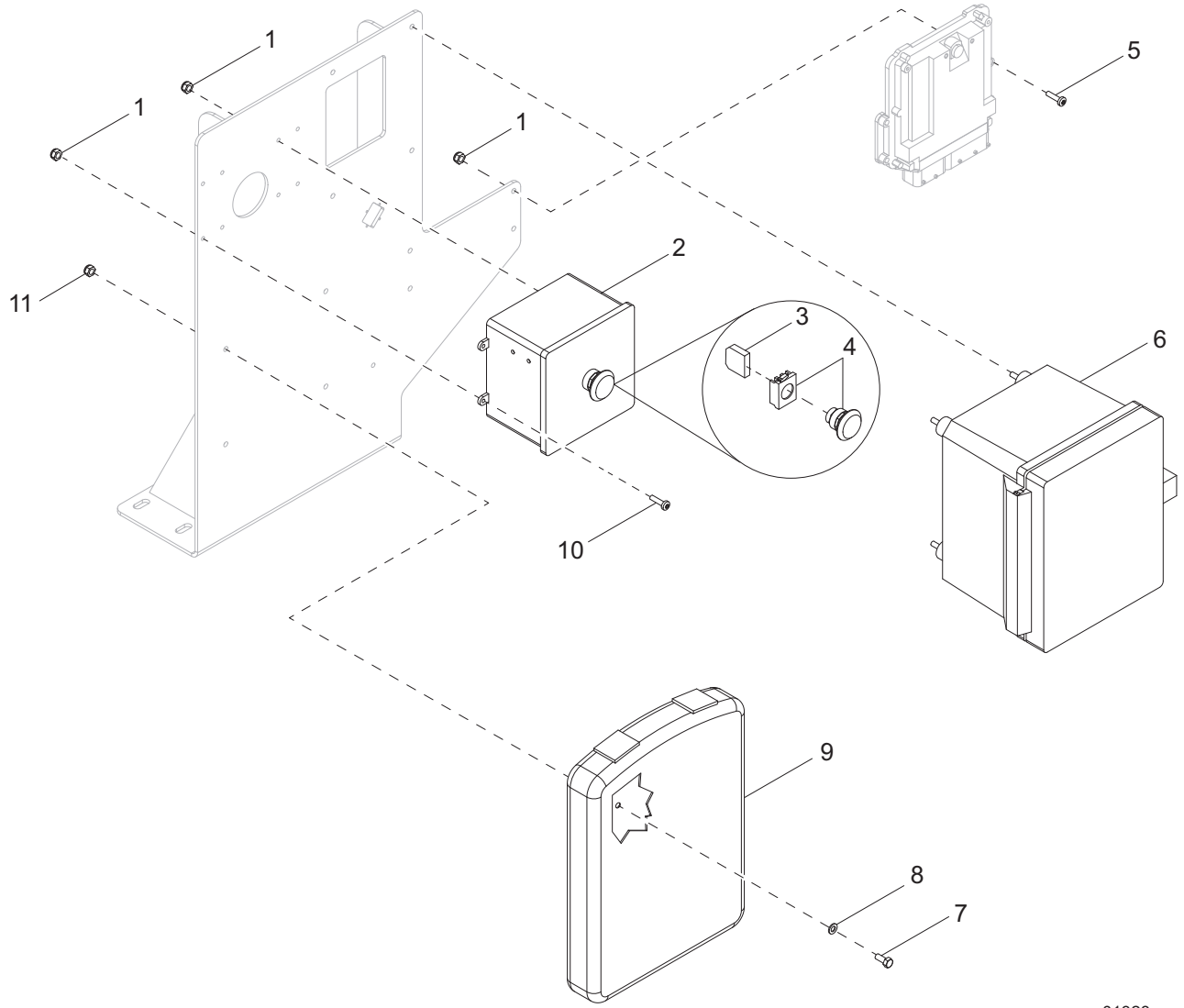
UNIT DECALS - RIGHT SIDE



01371

Note: All safety and operating decals are located on decal sheet 31615 unless otherwise noted.

CONTROL BOX ASSEMBLY

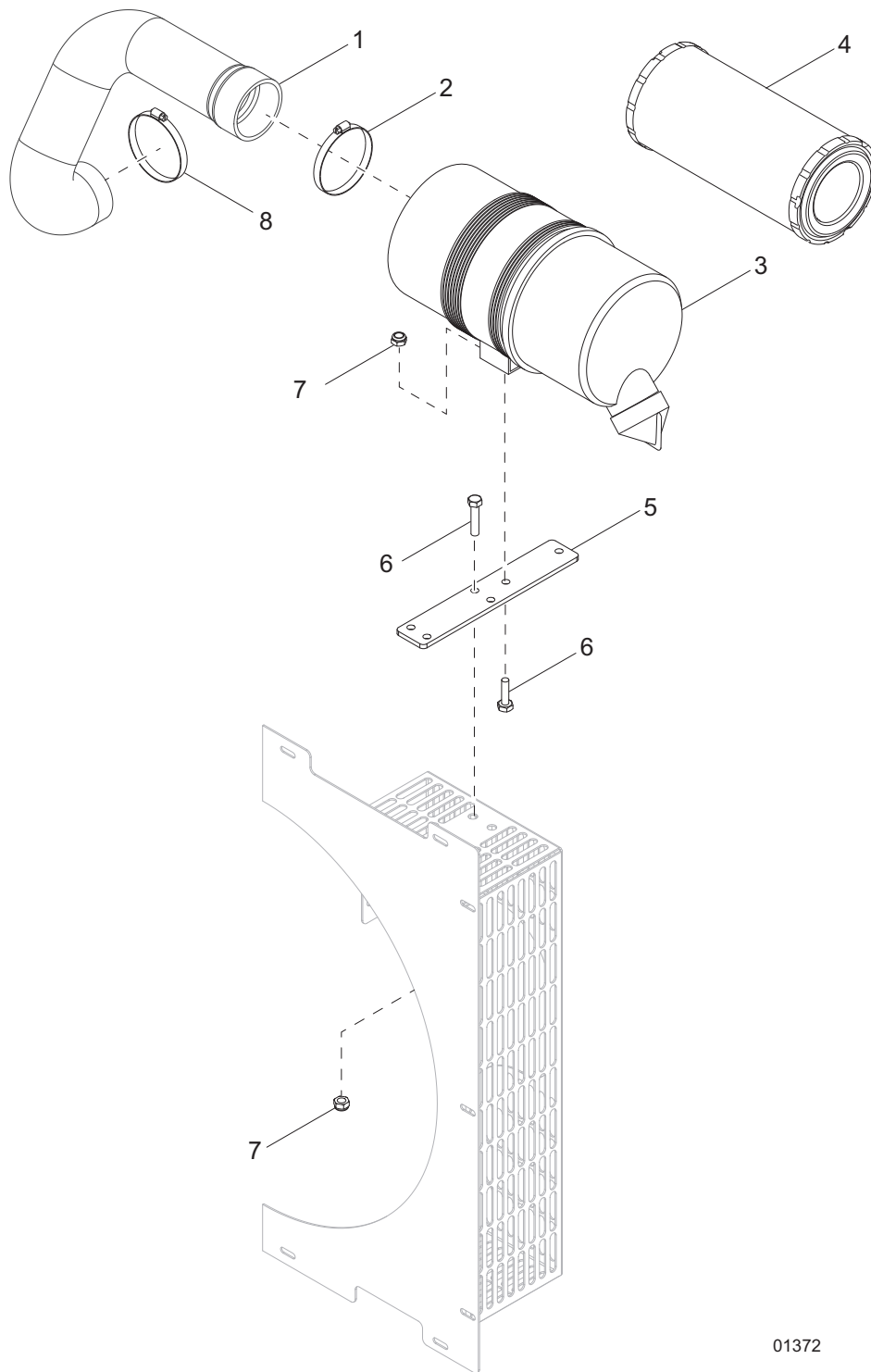


01328

CONTROL BOX ASSEMBLY

Item	Part No.	Qty	Description	Notes
1	60061	12	Nut, 10-32 nylock	
2	31514	1	Assembly, E-stop box	
--	65416	1	Nut, Duetsch HDP series	Included with item 2
--	65417	1	Washer, lock - Duetsch HDP series	Included with item 2
--	31597	1	Box, modified - E-stop	Included with item 2
--	61045	5	Nut, 10-32 sflg	Included with item 2
--	66455	2	Relay, 12V/70A NC/80A NO w/diode	Included with item 2
--	65049	1	Relay, 12V/30-40A NO w/diode	Included with item 2
--	60398	1	Screw, 10-32 x .500 pan phil, SS	Included with item 2
--	60243	2	Washer, .250 flat .735/.060	Included with item 2
3	65584	1	Block, E-stop contacter NO/NO	
4	65470	1	Switch, E-stop operator	
5	60396	4	Screw, 10-32 x 1.250 pan phil, G2	
6	68532	1	Assembly, control box w/controller 31504 (Lofa 750)	
--	31503	1	Controller, programmed MTP4D Deutz	
--	60062	8	Screw, 10-32 x .750 pan phil, G2	Included with item 6
--	60303	4	Nut, .312-18 nylock, G2	Included with item 6
--	62001	4	Screw, .312-18 x 1.250 std hex, G5	Included with item 6
7	60281	4	Screw, .250-20 x .750 std hex, G5	
8	60243	4	Washer, .250 flat, .735/.060	
9	24540	1	Holder, manual	
10	60062	4	Screw, 10-32 x .750 pan phil, G2	
11	60144	4	Nut, .250-20 nylock, G5	
--	68304	1	Harness, main	
--	62187	4	Screw, 4-40 x .500 pan phil, SS	Use with item 68304
--	60758	4	Nut, 4-40 nylock, G2	Use with item 68304
--	68381	1	Wire group, E-stop box	
OPTIONAL FEATURES				
<i>Float Switches:</i>				
--	49607	1	Adapter, harness - LOFA float switch	
--	41581	1	Assembly, float switch	

AIR FILTER ASSEMBLY

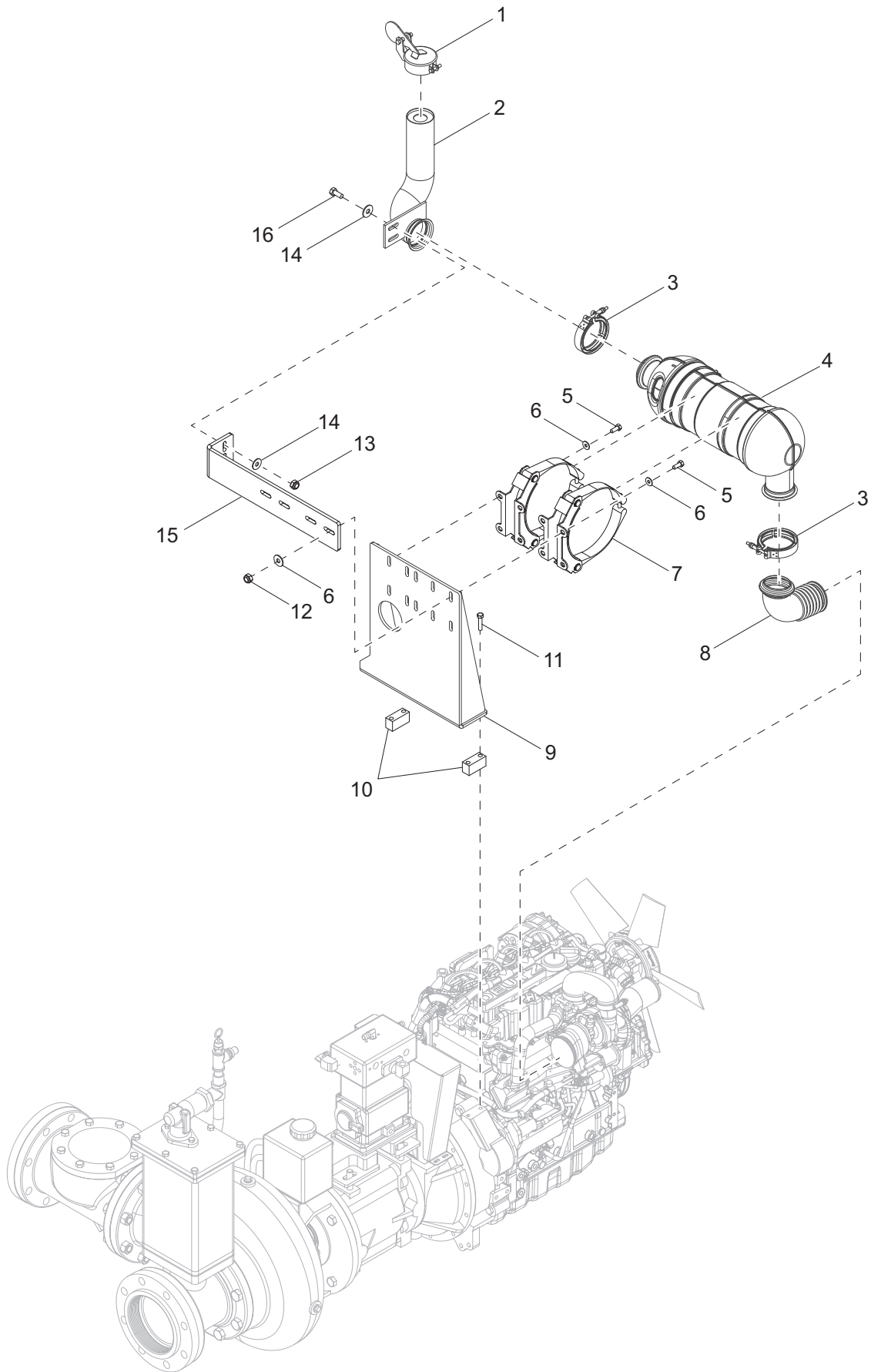


01372

AIR FILTER ASSEMBLY

Item	Part No.	Qty	Description	Notes
1	31461	1	Hose, air filter	
2	19336	1	Clamp, hose - SAE 044 (2.31-3.25)	
3	22967	1	Filter, air	
4	22874	1	Element, air filter	
5	31462B	1	Bracket, air filter	
6	60028	6	Screw, .312-18 x 1.0 std hex, G5	
7	60303	6	Nut, .312-18 nylock, G5	
8	18663	1	Clamp, hose - SAE 060 (3.31-4.25)	

EXHAUST SYSTEM ASSEMBLY

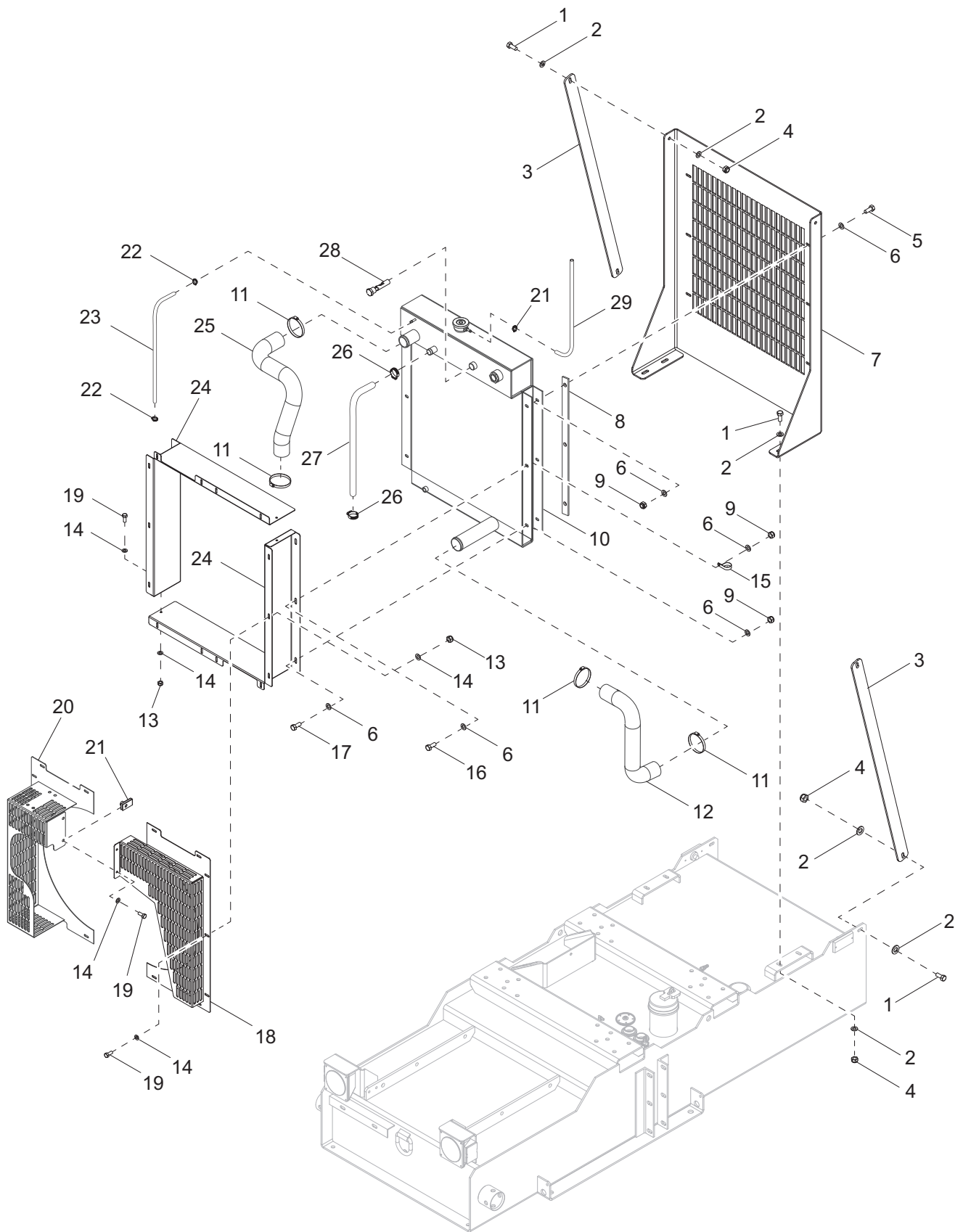


01373

EXHAUST SYSTEM ASSEMBLY

Item	Part No.	Qty	Description	Notes
1	21089	1	Cap, rain - 3.0	
2	31628	1	Weldment, exhaust pipe	
3	63248	2	Clamp, V-band - 3.88 ID/.40 SC width	
4	31449	1	DOC, Deutz TD2.9	
5	60256	8	Screw, .312-18 x 1.50 std hex, fully threaded, G5	
6	60119	16	Washer, .312 flat .875/.070	
7	31450	2	Clamp, DOC	
8	31595	1	Weldment, DOC pipe	
9	31547B	1	Weldment, DOC support	
10	31539B	2	Spacer	
11	60152	4	Screw, M10-1.50 x 60 std hex, G8.8	
12	60303	8	Nut, .312-18 nylock, G2	
13	60358	2	Nut, .375-16 nylock, G5	
14	60386	4	Washer, .375 flat .993/.064	
15	31626B	1	Bracket, tail pipe support	
16	60352	2	Screw, .375-16 x 1.250 std hex, G5	

COOLING SYSTEM ASSEMBLY

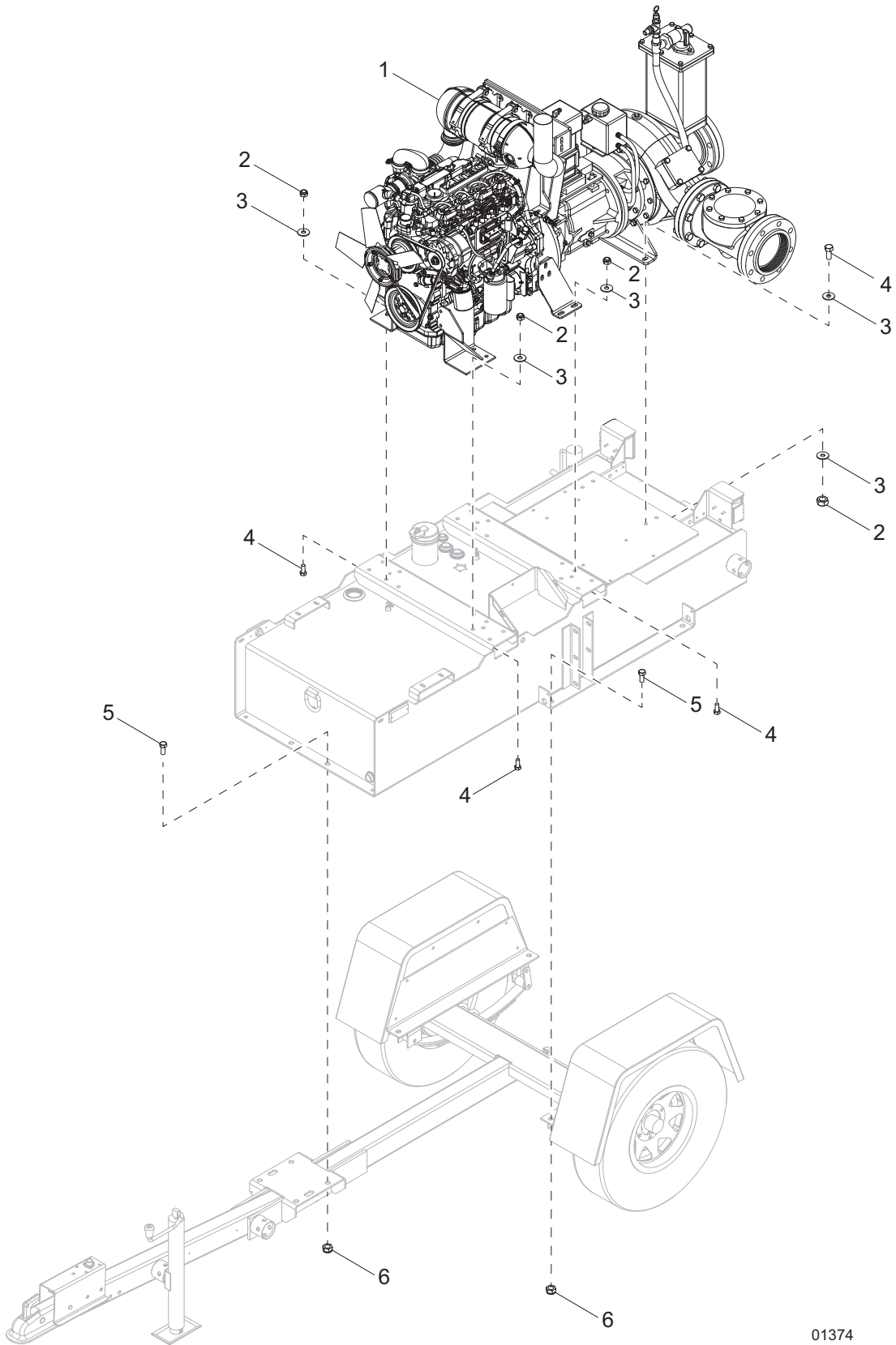


01331

COOLING SYSTEM ASSEMBLY

Item	Part No.	Qty	Description	Notes
1	60352	8	Screw, .375-16 x 1.250 std hex, G5	
2	60386	16	Washer, .375 flat .993/.064	
3	31583B	2	Strut, radiator support	
4	60358	8	Nut, .375-16 nylock, G5	
5	62001	6	Screw, .312-18 x 1.250 std hex, G5	
6	60119	24	Washer, .312 flat .875/.070	
7	31548B	1	Bracket, radiator support	
8	31650B	2	Spacer, radiator	
9	60303	12	Nut, .312-18 nylock, G2	
10	38321	1	Radiator, w/expansion tank	
11	60316	4	Clamp, hose - SAE 032 (1.56-2.50)	
12	31440	1	Hose, radiator - lower	
13	60144	16	Nut, .250-20 nylock, G5	
14	60243	34	Washer, .250 flat .735/.060	
15	15627	1	Clamp, tubing - .625 heavy duty	
16	60028	1	Screw, .312-18 x 1.00 std hex, G5	
17	61061	6	Screw, .312-18 x .875 std hex, G5	
18	31582B	1	Weldment, fan guard - right	
19	60281	18	Screw, .250-20 x .750 std hex, G5	
20	31581B	1	Weldment, fan guard - left	
21	61143	2	Nut, .250-20 U-clip - short type	
22	14216	3	Clamp, hose - SAE 004 (.21-.62) mini	
23	50017	1 ft	Hose, fuel - .250 ID, 50 psi, SAE 30R7	
24	31561B	2	Shroud, fan	
25	31439	1	Hose, radiator - upper	
26	19338	2	Clamp, hose - SAE 016 (.68-1.50)	
27	51019	2 ft	Hose, heater .875 J20R3	
28	68206	1	Sensor, low coolant, wet sinking	
29	50018	3 ft	Hose, fuel - .312 ID, 50 psi, SAE 30R7	

ENGINE AND PUMP TO SKID ASSEMBLY

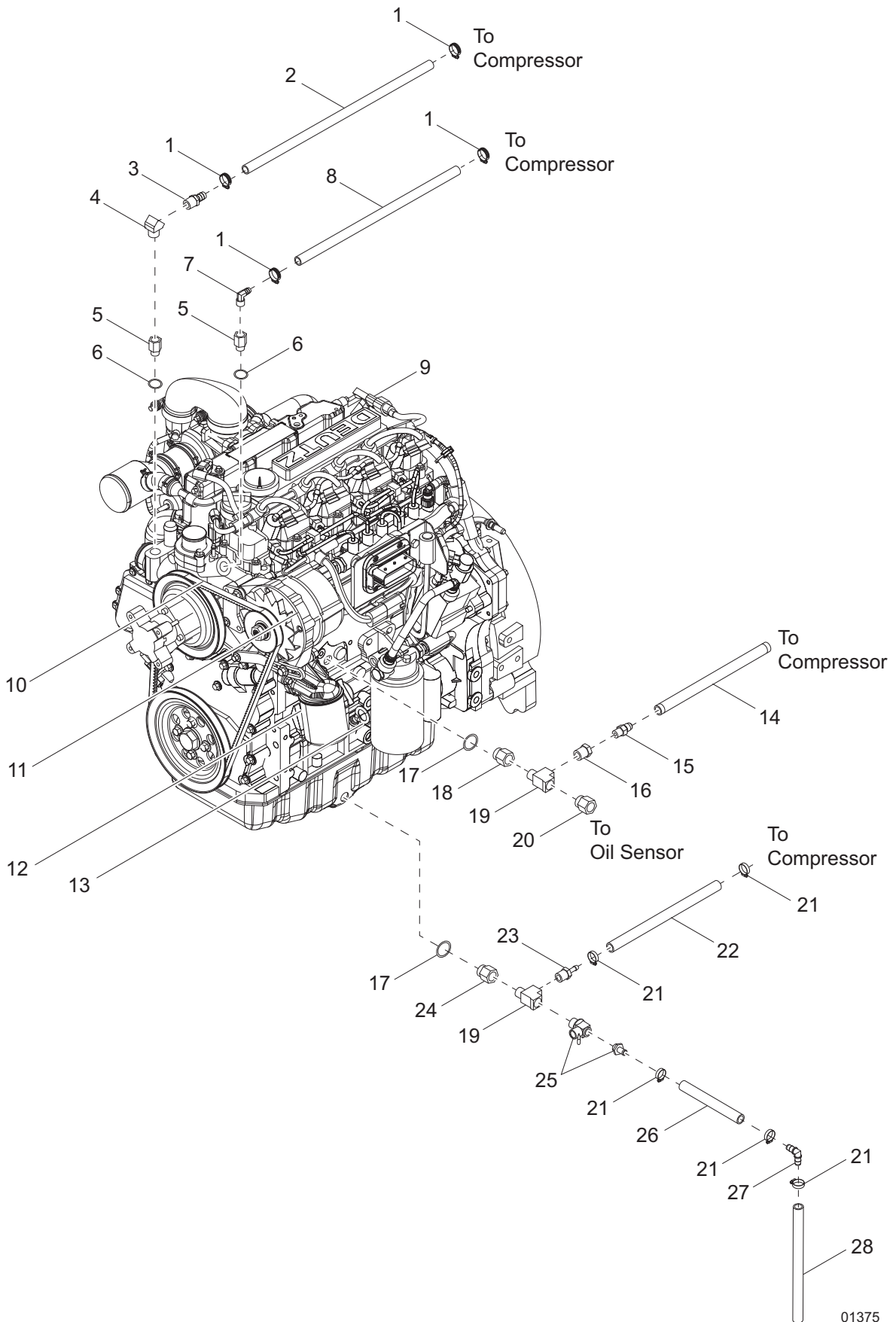


01374

ENGINE AND PUMP TO SKID ASSEMBLY

Item	Part No.	Qty	Description	Notes
1	31531	1	Assembly, engine/pump - Deutz TD2.9/Cornell 6.0	
2	62221	12	Nut, .500-13 nylock, G5	
3	60309	14	Washer, .500 flat 1.060/.090	
4	60388	12	Screw, .500-13 x 1.50 std hex, G5	
5	61078	6	Screw, .625-11 x 2.0 flg hex, G8	
6	60240	6	Nut, .625-11 nylock, G5	

ENGINE ASSEMBLY - LEFT SIDE



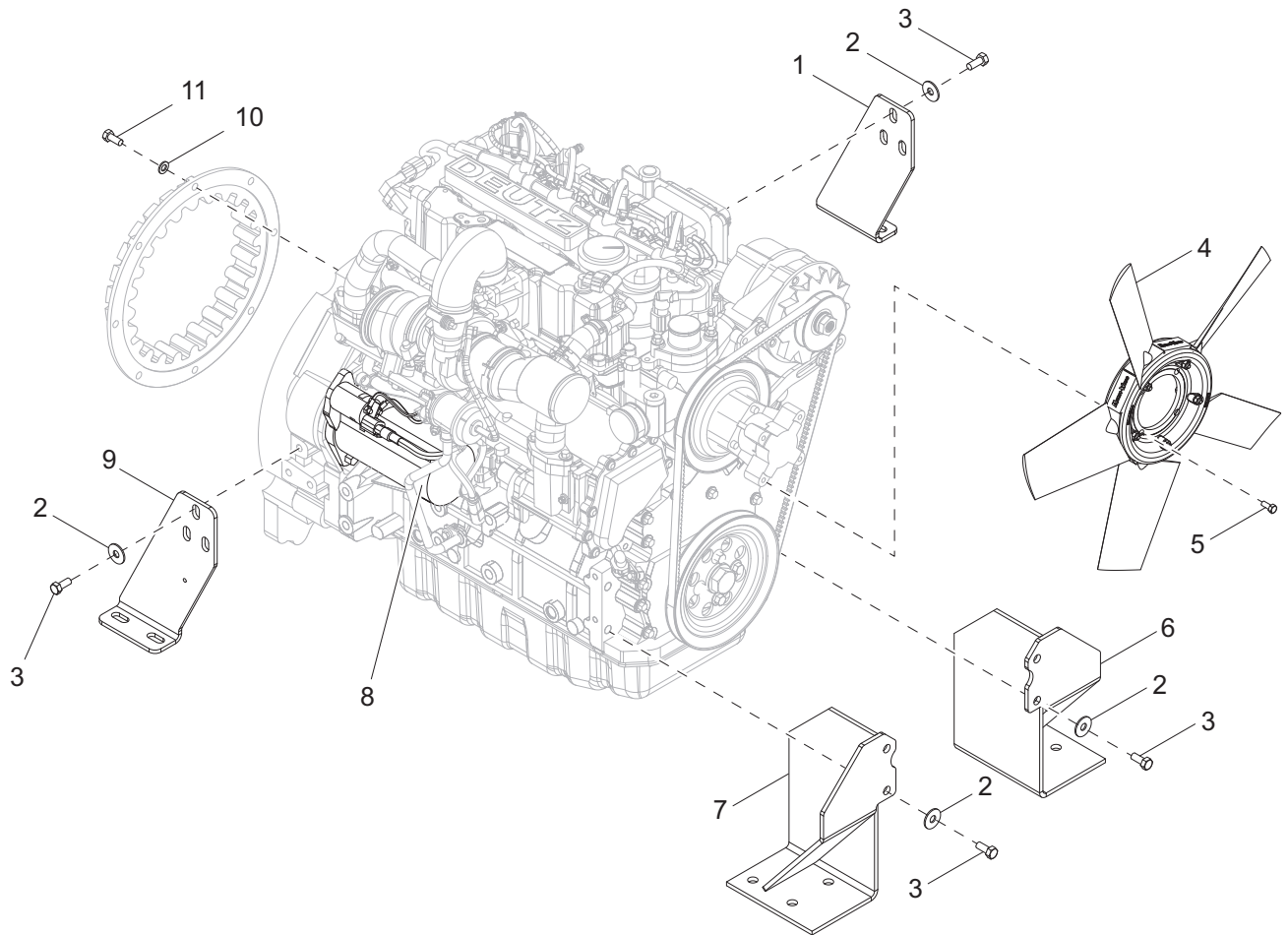
01375

ENGINE ASSEMBLY - LEFT SIDE

Item	Part No.	Qty	Description	Notes
1	60365	4	Clamp, hose - SAE 010 (.56-1.06)	
2	50201	2.66 ft	Hose, .625 in., 200 psi, class A	
3	60502	1	Fitting, str - .500MNPT x .625 barb, brass	
4	61040	1	Fitting, 45° - .500MNPT x .500FNPT brass	
5	19307	2	Fitting, str - .500FNPT x M22 x 1.50	
6	19467	2	Seal, M22	
7	61014	1	Fitting, 90° - .500MNPT x .625 barb, brass	
8	50201	3 ft	Hose, .625 in., 200 psi, class A	
9	31381	1	Engine, Deutz TD2.9 - T4F 66hp, variable speed	
10	52213	1	Belt, fan	
11	52214	1	Alternator	
12	52212	1	Filter, oil	
13	52215	1	Dipstick, oil	
14	41420	1	Hose, oil supply .250 ID x 50.0, 300 psi - .25FJIC	
15	61073	1	Fitting, str - .125 MNPT x .250MJIC brass	
16	22603	1	Fitting, str - .375MNPT x .125FNPT brass	
17	63223	2	Seal, M16	
18	33146	1	Fitting, str - .375FNPT x M16-1.5 male	
19	22602	2	Fitting, T - .375MNPT x FNPT x FNPT brass	
20	31618	1	Fitting, str - .375MNPT x M16-1.5 female	
21	14216	5	Clamp, hose - SAE 004 (.21-.62) mini	
22	50051	3.75 ft	Hose, fuel - .375 ID, 50 psi, SAE 30R7	
23	25082	1	Fitting, str - .375MNPT x .375 barb	
24	61033	1	Fitting, str - .375FNPT x M18 x 1.50 O-ring	
25	37619	1	Valve, drain .375-18NPT	
26	50051	.70 ft	Hose, fuel - .375 ID, 50 psi, SAE 30R7	
27	63367	1	Fitting, 90° - .375 barb x .375 barb	
28	50051	1.5 ft	Hose, fuel - .375 ID, 50 psi, SAE 30R7	

Note: Engine and pump parts used in all Generac Mobile Products, LLC equipment carry the Original Equipment Manufacturer (OEM) warranty unless otherwise stated. OEM warranty parts must be purchased through an OEM dealer. Please contact Generac Mobile Products, LLC with questions.

ENGINE ASSEMBLY - RIGHT SIDE



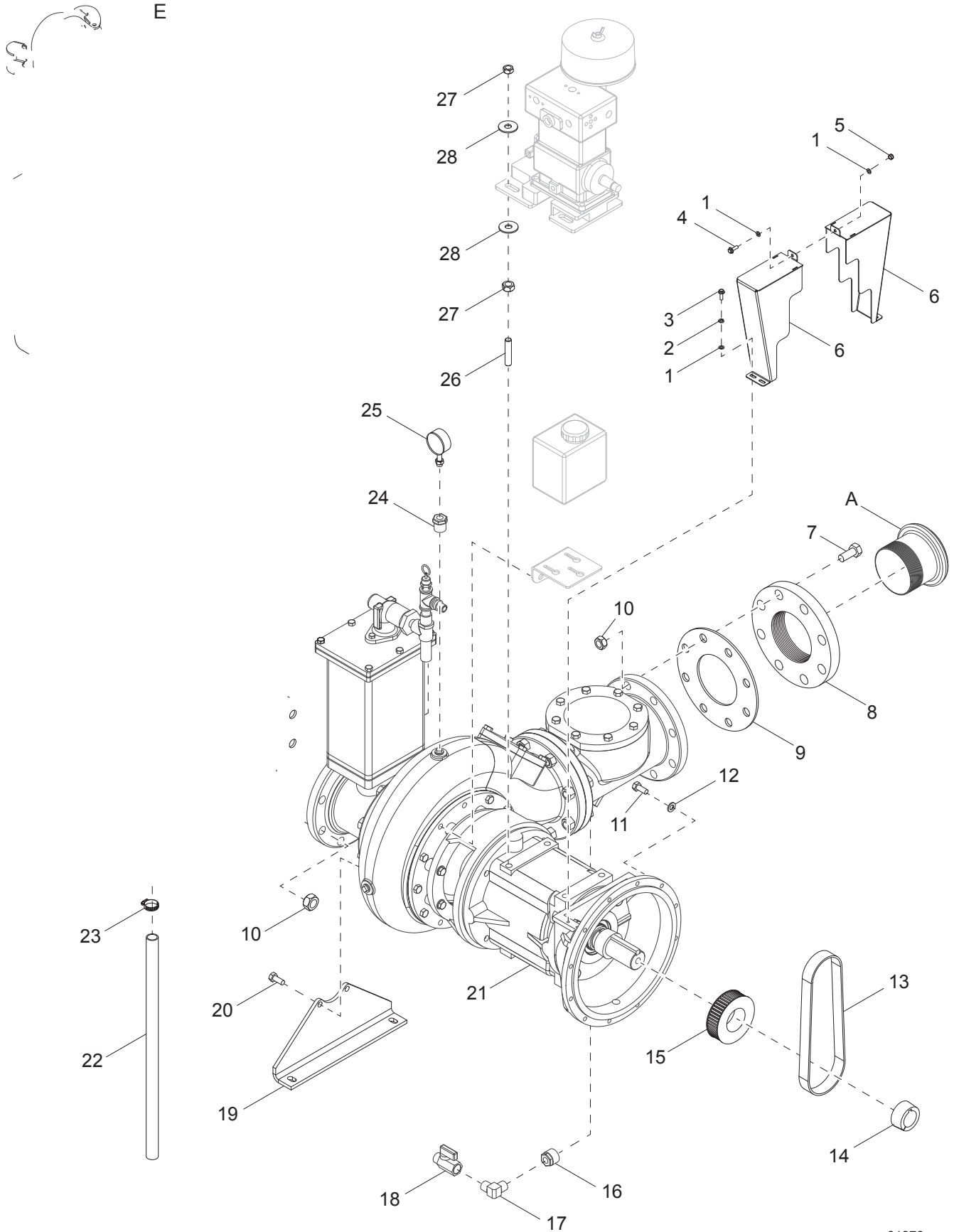
01376

ENGINE ASSEMBLY - RIGHT SIDE

Item	Part No.	Qty	Description	Notes
1	31533B	1	Bracket, engine mount - bell housing, left	
2	60012	10	Washer, M12 flat	
3	62277	10	Screw, M12-1.75 x 25 std hex, G10.9	
4	31410	1	Fan, pusher - 20.0 CW	
5	61204	4	Screw, M8-1.25 x 20 std hex, G10.9	
6	31527B	1	Weldment, engine mount, left	
7	31530B	1	Weldment, engine mount, right	
8	52219	1	Starter	
9	31534B	1	Bracket, engine mount - bell housing, right	
10	60027	8	Washer, M10 flat	
11	63338	8	Screw, M10 - 1.50 x 20 hex, G10.9	

Note: Engine and pump parts used in all Generac Mobile Products, LLC equipment carry the Original Equipment Manufacturer (OEM) warranty unless otherwise stated. OEM warranty parts must be purchased through an OEM dealer. Please contact Generac Mobile Products, LLC with questions.

EXTERNAL PUMP ASSEMBLY



01378

EXTERNAL PUMP ASSEMBLY

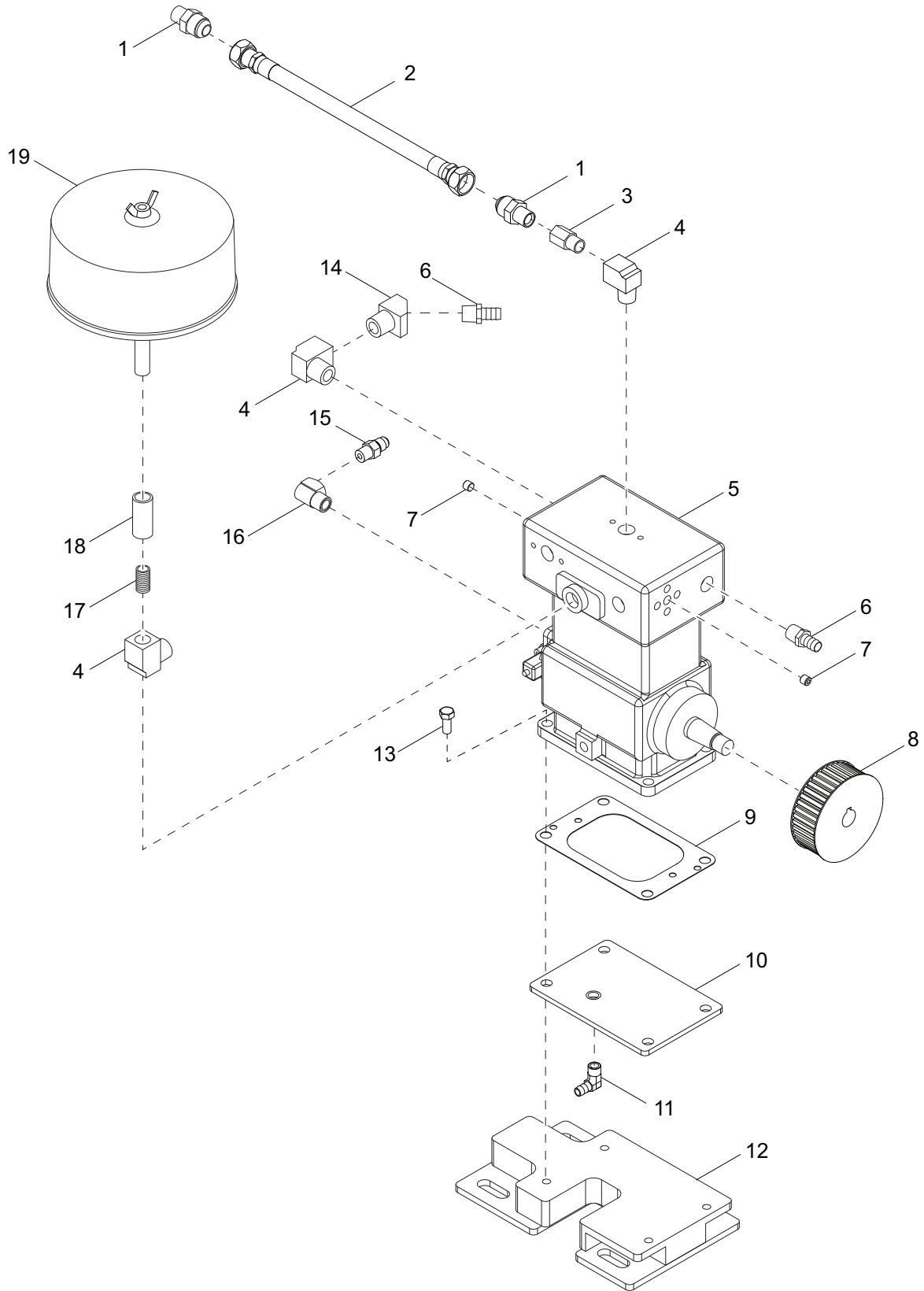
Item	Part No.	Qty	Description	Notes
1	60243	6	Washer, .250 flat .735/.060	
2	60286	4	Washer, .250 split lock	
3	60175	4	Screw, .250-20 x .500 sflg hex, G5	
4	60523	1	Screw, .250-20 x .875 sflg hex	
5	60144	1	Nut, .250-20 nylock, G5	
6	31608B	2	Guard, belt	
7	61076	16	Screw, .750-10 x 3.0 std hex, G5	
8	41306B	2	Flange, 6.0NPT female - ANSI 150 lb	
9	41061	2	Gasket, pump flange - 6.0	
10	61077	16	Nut, .750-10 jam, G2 thin	
11	60055	12	Screw, M10-1.50 x 35 std hex, G10.9	
12	60027	12	Washer, M10 flat	
13	31432	1	Belt, compressor	
14	31469	1	Bushing, taper lock - 2012 x 2.0 bore	
15	30498	1	Pulley, driver - 48 tooth	
16	63117	1	Fitting, strt - 1.0MNPT x .375FNPT	
17	23069	1	Fitting, 90° - .375MNPT, brass	
18	62032	1	Valve, ball .375FNPT, mini	
19	31532B	1	Bracket, pump support	
20	63186	2	Screw, .500-13 x 1.250 std hex, G5	
21	30281B	1	Pump, trash - 6.0 dry prime, 10 dia	
22	50332	4.33 ft	Hose, fuel - .750 ID, 35 psi, SAE 30R7	
23	60365	1	Clamp, hose - SAE 010 (.56-1.06)	
24	19401	1	Fitting, Strt - .500MNPT x .250FNPT	
25	49420	1	Gauge, vacuum 0-30 HG, 2.50 dial, .25NPT	
26	31636	4	Stud, .625-11 x 4.0 fully threaded, G5	
27	61071	8	Nut, .625-11 jam, thin, G5	
28	60521	8	Washer, .625 flat 1.743/.108	

OPTIONAL FEATURES

Inlet and Outlet Fittings:

A	41327	2	Socket, 6.0 x 6.0MNTP
B	41329	1	Coupler, cam and groove - 6.0FNPT x 6.0MNPT
C	41587	1	Coupler, cam and groove - 6.0 male x 6.0NPT
D	41556B	1	Weldment, pump fitting - 6.0NPT, 45°
E	41325	1	Ring, ball and lock, 6.0 x 6.0MNTP

PUMP AIR COMPRESSOR ASSEMBLY

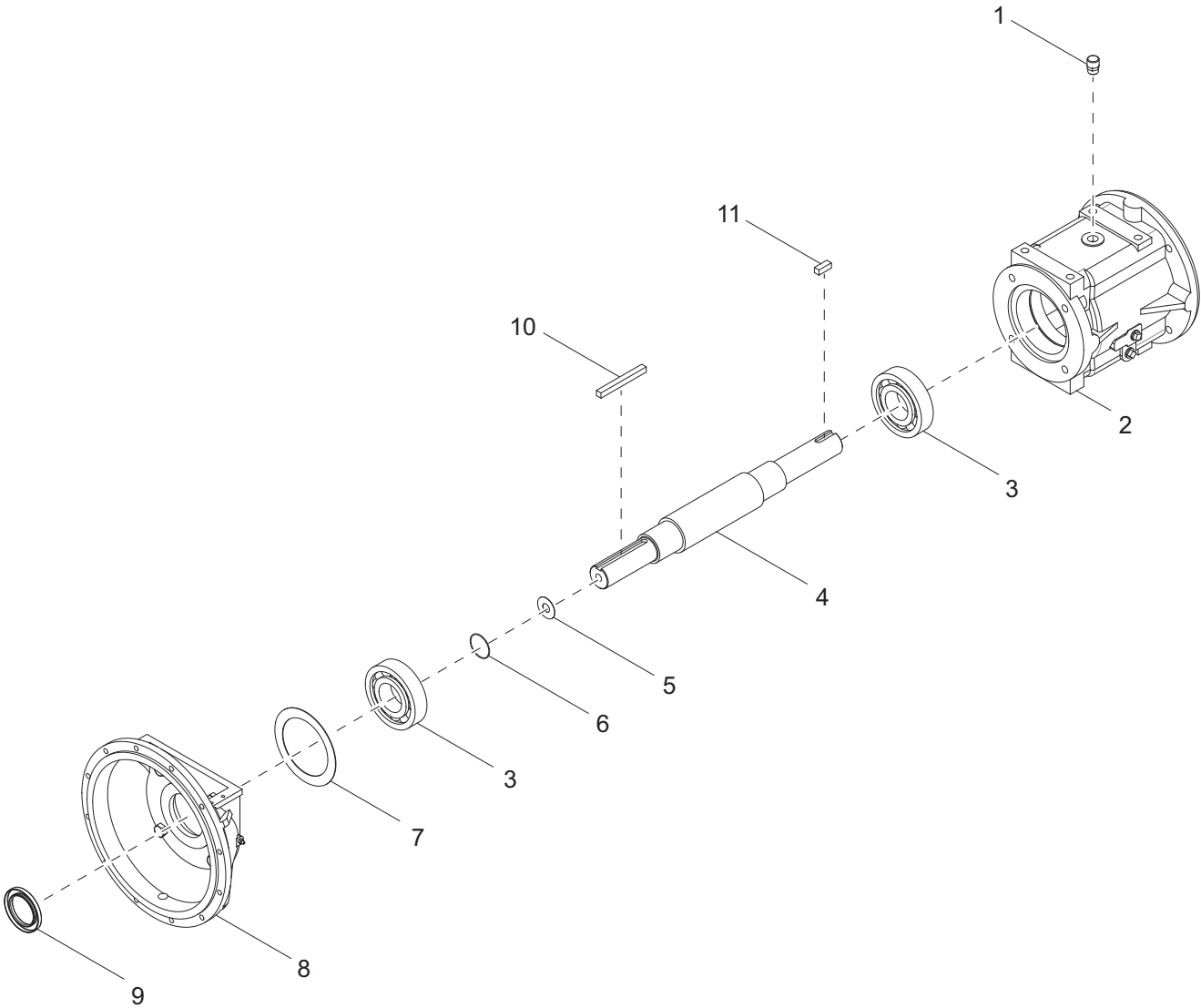


01336

PUMP AIR COMPRESSOR ASSEMBLY

Item	Part No.	Qty	Description	Notes
1	63181	2	Fitting, strt - .500MNPT x .750, 37° JIC	
2	31658	1	Assembly, hose .750 braided x 15.50 in	
3	31657	1	Valve, check	
4	60998	3	Fitting, 90° - .500MNPT x .500FNPT brass	
5	49267	1	Compressor, air - Bendix	
6	60502	2	Fitting, strt - .500MNPT x .625 barb, brass	
7	63115	2	Fitting, plug - .125NPT x flush mount	
8	30497	1	Pulley, driven - 40 tooth	
9	49421	1	Gasket, compressor base	
10	32703B	1	Bracket, compressor base	
11	20645	1	Fitting, 90° - .250NPT x .375 barb, brass	
12	31445B	1	Weldment, compressor mount	
13	63283	4	Screw, .438-14 x 1.50 std hex, G5	
14	61040	1	Fitting, 45° - .500MNPT x .500FNPT, brass	
15	61073	1	Fitting, strt - .125MNPT x .250MJIC brass	
16	60734	1	Fitting, 90° - .125MNPT x .125FNPT brass	
17	60438	1	Fitting, pipe nipple - .500NPT x close	
18	21437	1	Fitting, strt - .500NPT coupler x 1.50	
19	31630	1	Air cleaner - .500NPT	
--	31631	1	Element, air cleaner	

BEARING FRAME ASSEMBLY

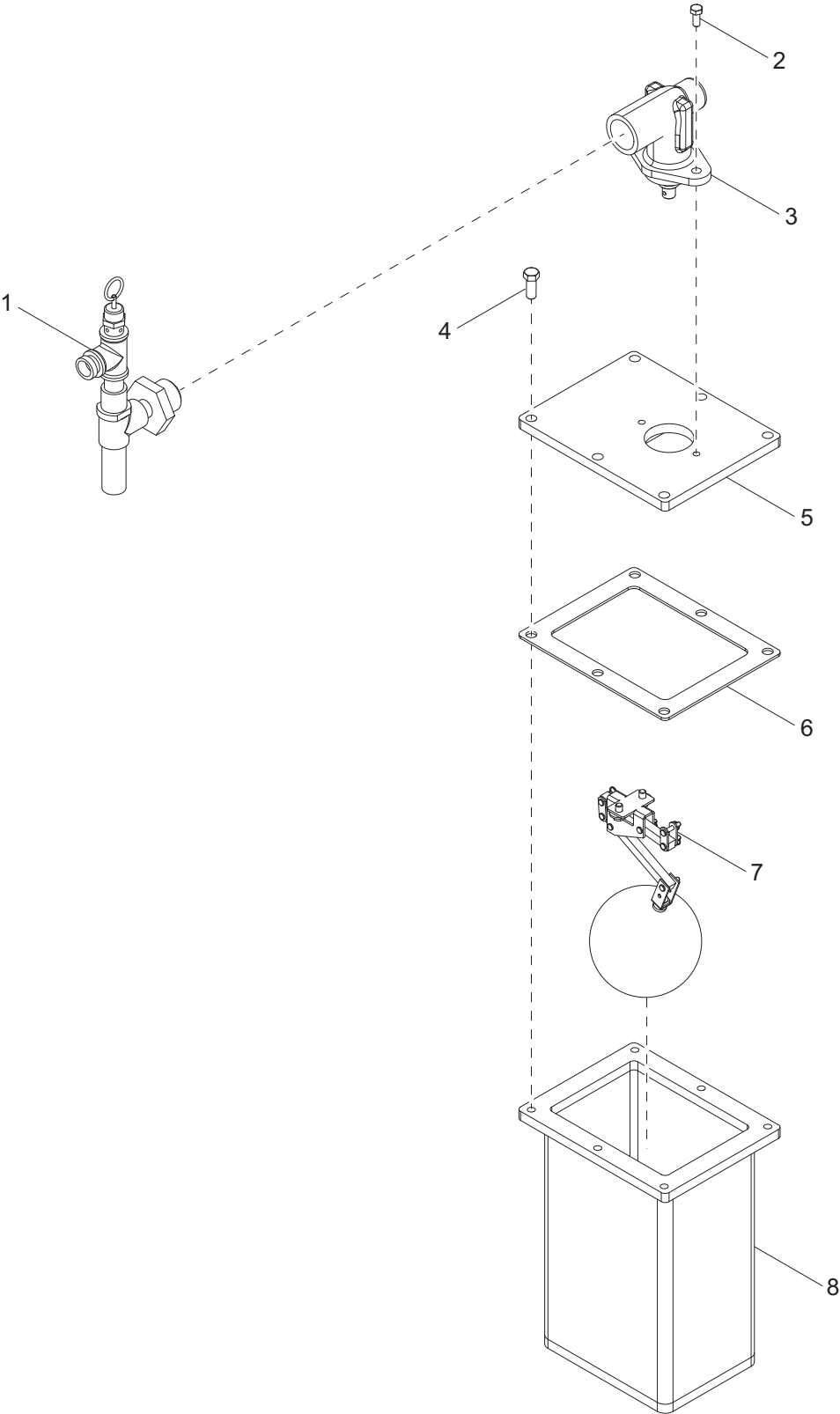


01381

BEARING FRAME ASSEMBLY

Item	Part No.	Qty	Description	Notes
1	52034	1	Breather, .500NPT	
2	52130	1	Frame, pump	
3	52134	2	Bearing, 16B	
4	52133	1	Shaft, 6NNT	
5	52118	1	Shim, .005	
6	52124	1	O-ring, 2.00 x 2.19 x .090	
7	52142	1	Shim, .010	
8	52043	1	Bracket, engine	
9	52139	1	Seal, lip	
10	52146	1	Key, drive end .500 x 4.00	
11	52117	1	Key, impeller .500 x 1.38	

PRIMING CHAMBER ASSEMBLY

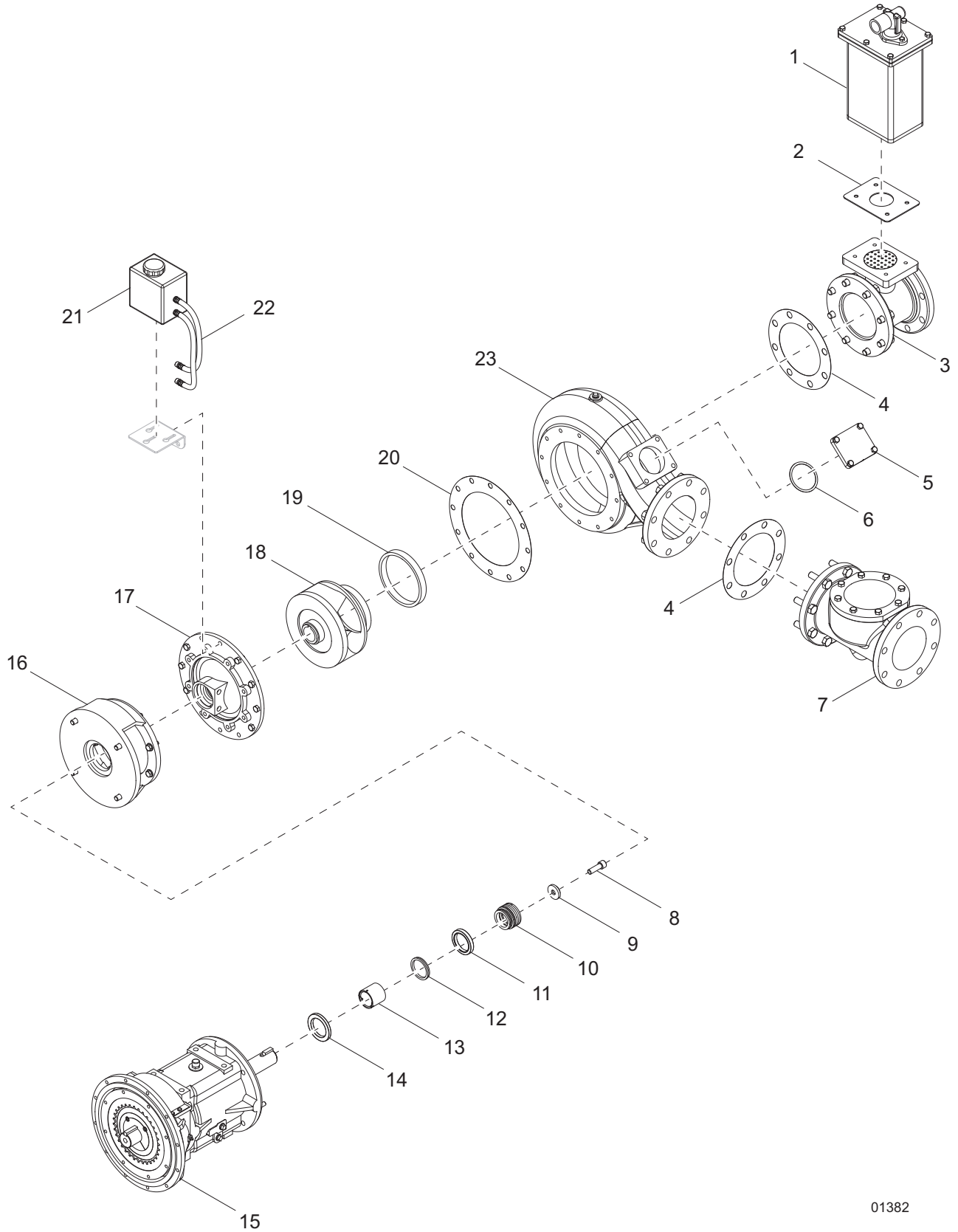


01339

PRIMING CHAMBER ASSEMBLY

Item	Part No.	Qty	Description	Notes
1	52195	1	Fitting, priming	
2	52167	2	Capscrew, hex .31NC x .50	
3	31656	1	Valve, priming chamber	
4	52178	6	Screw, .440 x 1.25 std hex, SS	
5	52163	1	Cover, priming chamber	
6	52177	1	Gasket, priming chamber - upper	
7	52165	1	Assembly, float linkage	
8	52180	1	Priming chamber	
--	52162	1	Assembly, priming chamber	

INTERNAL PUMP ASSEMBLY

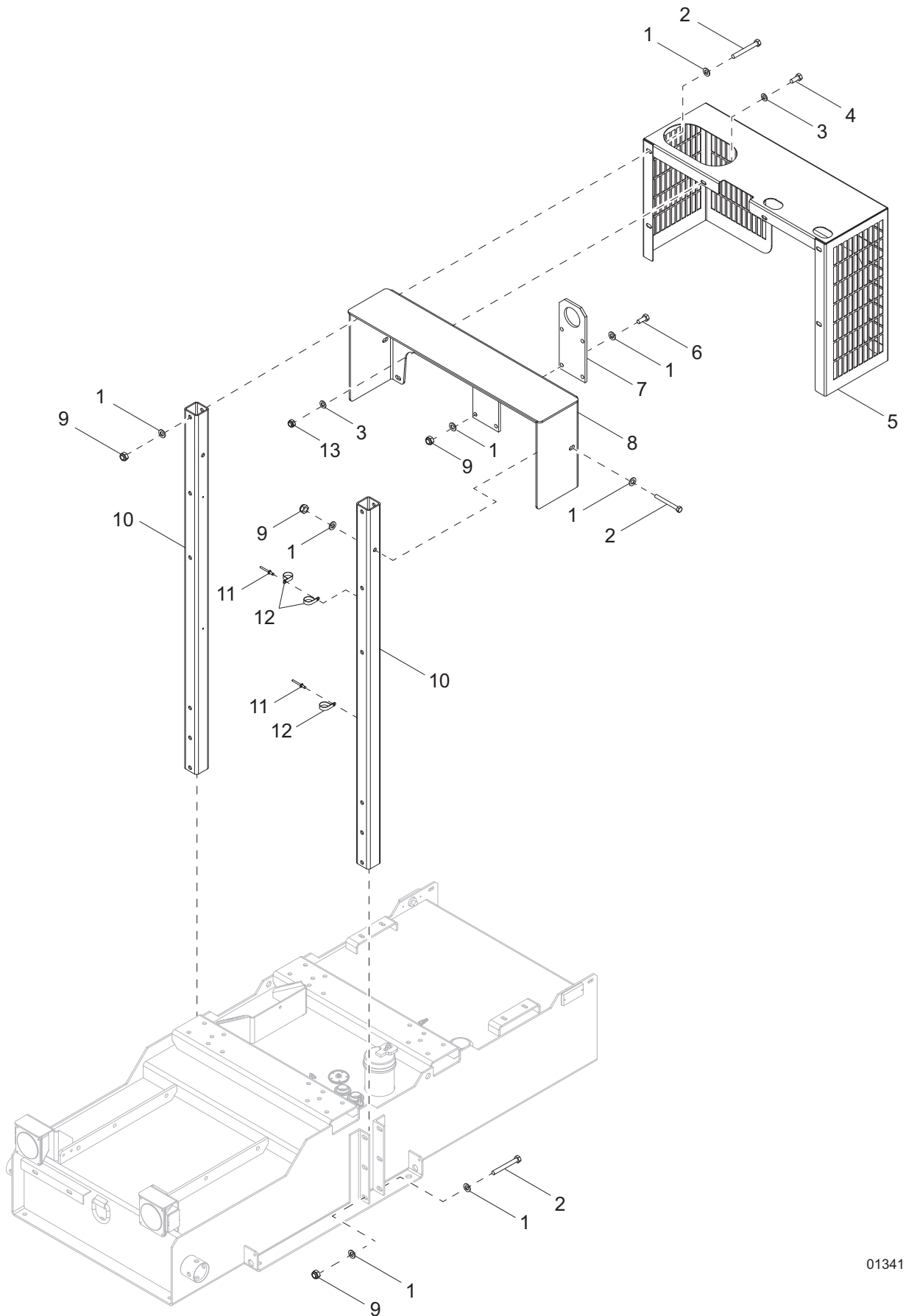


01382

INTERNAL PUMP ASSEMBLY

Item	Part No.	Qty	Description	Notes
1	Page 24	1	Assembly, priming chamber	
2	52077	1	Gasket, priming chamber - lower	
3	52196	1	Spool, 6.0 x 6.0 fabricated	
4	52197	2	Gasket, 6.0 in - full face	
5	52111	1	Cover, clean out	
6	52018	1	Deflector	
7	52199	1	Valve, 6.0 x 6.0	
8	52116	1	Lock screw, .62NC x 2.0, socket head	
9	52115	1	Washer, impeller	
10	52126	1	Seal, 2002S RP	
11	52127	1	Seal, lip - 2.50 x 3.375	
12	52128	1	V-ring	
13	52123	1	Sleeve, 2.50 x 2.0 x 2.25 chrome	
14	52139	1	Seal, lip	
15	Page 22	1	Assembly, bearing frame	
16	52135	1	Bracket, 8B4	
17	52119	1	Backplate	
18	52114	1	Impeller, 4NNT - 1.94 in blind bore	
19	52107	1	Ring, wear 7.50 x 6.75 x .88 open	
20	52109	1	Gasket, volute	
21	52049	1	Reservoir, w/cap - run-dry	
22	52159	2	Hose, .38 ID	
23	52108	1	Volute, 6NNT w/clean out	

LIFT SUPPORT ASSEMBLY



01341

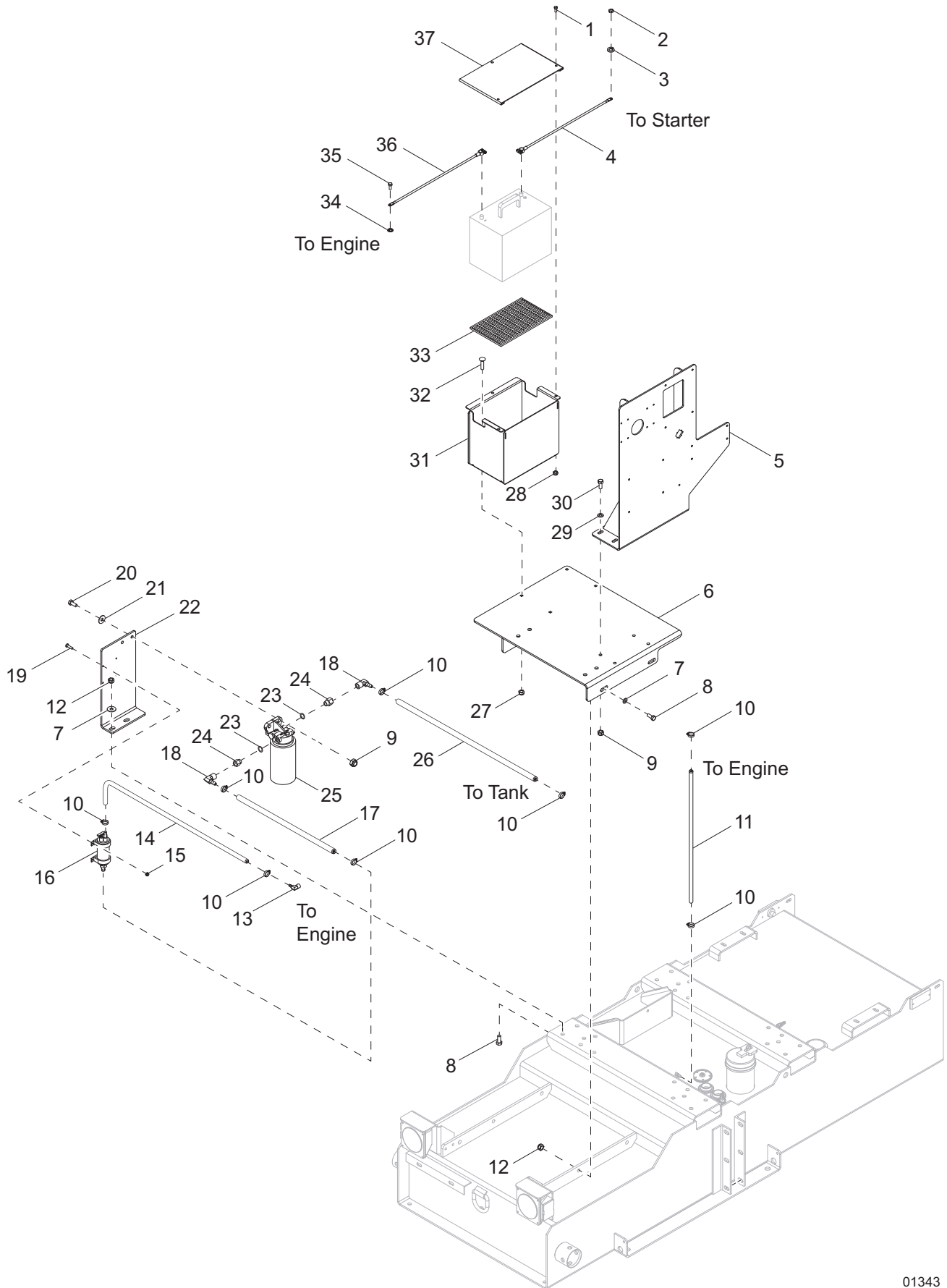
LIFT SUPPORT ASSEMBLY

Item	Part No.	Qty	Description	Notes
1	60309	32	Washer, .500 flat 1.060/.090	
2	50215	12	Screw, .500-13 x 4.0 std hex, G5	
3	60386	4	Washer, .375 flat .993/.064	
4	60205	2	Screw, .375-16 x 1.0 std hex, G5	
5	31605B	1	Shield, heat	
6	60484	4	Screw, .500-13 x 2.0 std hex, G5	
7	41080B	1	Bracket, lift eye	
8	31584B	1	Bracket, lift support	
9	62221	16	Nut, .500-13 nylock, G5	
10	31585B	2	Tube, lift structure	
11	60195	2	Rivet, .188 dia. x .375 to .500 grip	
12	15627	3	Clamp, tubing - .625 heavy duty	
13	60358	2	Nut, .375-16 nylock, G5	

FUEL TANK ASSEMBLY (1 OF 2)

Item	Part No.	Qty	Description	Notes
1	60156	5	Screw, M5-.80 x 16 pan phil, G4.8	
2	60252	5	Washer, #10 split lock	
3	20571	1	Sender, fuel - 10-15 in. tank	
4	60406	4	Screw, 8-32 x 1.0 pan phil, G2	
5	66373	2	Lens, light, clearance marker - amber	
6	65661	2	Bulb, light - clearance marker	
7	60999	1	Fitting, strt - .500MNPT x .312 barb, brass	
8	60270	4	Nut, 8-32 nylock, class 6	
9	23707	1	Cap, fuel fill - 3.50	
10	23146	1	Fitting, 90° - .250MNPT x .375FNPT brass	
11	21339	1	Fitting, strt - .375NPT x .500 barb	
12	60498	1	Fitting, square plug - .750NPT	
13	41278B	1	Weldment, fuel tank/chassis	
14	23256	1	Pin, jack - 2000 lb, tube-mounted	
15	12647	1	Cable, tether - jack pin and ground rod cover	
16	41133	2	Jack, side wind - 2000 lb, tube-mounted	
17	49626	1	Light, stop/turn/tail - waterproof - LED right	
18	62001	4	Screw, .312-18 x 1.250 std hex, G5	
19	60119	8	Washer, .312 flat .875/.070	
20	41101B	1	Bracket, tail light mounting - right	
21	19163	2	Fitting, bushing - .500 OD x .375 ID	
22	61147	2	Nut, .312-18 U-clip, long type, G5	
23	60240	1	Nut, .625-11 nylock, G5	
24	49627	1	Light, stop/turn/tail - waterproof w/LP - LED left	
25	41102B	1	Bracket, tail light mounting - left	
26	31617B	1	Weldment, jack support	
27	63337	1	Screw, .625-11 x 4.50 hex, G8	
28	60303	4	Nut, .312-18 nylock, G2	
29	20645	1	Fitting, 90° - .250NPT x .375 barb, brass	
30	22323	1	Gasket, sending unit	
31	14216	1	Clamp, hose - SAE 004 (.21x.62) mini	
32	50343	3.16 ft	Hose, fuel - .312 ID x .562 OD, 60 psi	
--	41123	1	Harness, trailer light	
--	60353	1	Screw, .375-16 x 1.0 flg hex, self-tapping, G2	Use with item 41123
--	60698	1	Washer, .375 flat .875/.040, SS	Use with item 41123
--	60053	1	Washer, .375 external star	Use with item 41123
--	67856	1	Harness, trailer extension assembly	
OPTIONAL FEATURES				
<i>Harness - Electric Brake:</i>				
--	65899	1	Harness, electric brake	

FUEL TANK ASSEMBLY (2 OF 2)

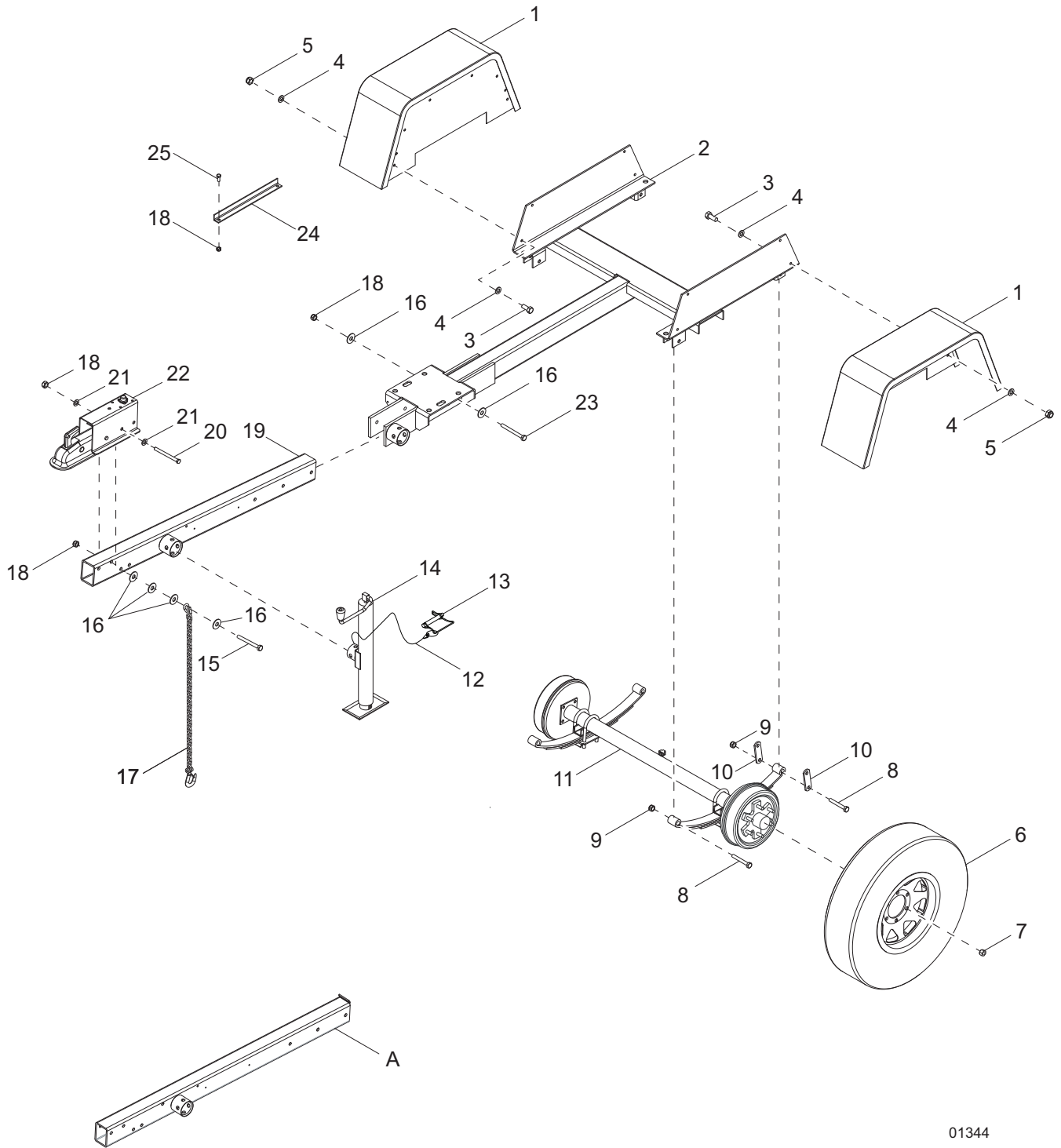


01343

FUEL TANK ASSEMBLY (2 OF 2)

Item	Part No.	Qty	Description	Notes
1	60393	3	Screw, .250-20 x 1.0 std hex, G5	
2	60032	1	Nut, M8 - 1.25 hex, G8.8	
3	60271	1	Washer, .312 split lock	
4	24777	1	Cable, battery - 54 in. 2GA red w/lead, 3/8 in. lug	
5	31538B	1	Weldment, control box support	
6	31576B	1	Weldment, pump support	
7	60309	6	Washer, .500 flat 1.060/.090	
8	60388	6	Screw, .500-13 x 1.5 std hex, G5	
9	60358	6	Nut, .375-16 nylock, G5	
10	19453	8	Clamp, hose - SAE 006 (.37-.87)	
11	51021	3.2 ft	Hose, fuel - .375 ID, 125 psi	
12	62221	6	Nut, .500-13 nylock, G5	
13	62145	1	Fitting, 90° - .375MNPT x .375 barb, brass	
14	51021	1.5 ft	Hose, fuel - .375 ID, 125 psi	
15	60061	4	Nut, 10-32 nylock	
16	31451	1	Pump, fuel - Deutz TD2.9	Included with engine
17	51022	1.5 ft	Hose, fuel - .500 ID, 125 psi	
18	62108	2	Fitting, 90° - .375MNPT x .500 barb, brass	
19	60397	4	Screw, 10-32 x 1.0 pan phil, G2	
20	60139	2	Screw, .375-16 x 1.50 std hex, G5	
21	60698	2	Washer, .375 flat .875/.040, SS	
22	31614B	1	Bracket, filter	
23	63223	2	Seal, M16	
24	33146	2	Fitting, strt - .375FNPT x M16-1.5 male	
25	31513	1	Filter, fuel - pre-filter	Included with engine
26	51022	3.1 ft	Hose, fuel - .500 ID, 125 psi	
27	60303	4	Nut, .312-18 nylock, G2	
28	60144	3	Nut, .250-20 nylock, G5	
29	60386	4	Washer, .375 flat .993/.064	
30	60352	4	Screw, .375-16 x 1.25 std hex, G5	
31	31560B	1	Box, battery	
32	61066	4	Screw, .312-18 x 1.0 carr sqr, SS	
33	41185	1	Pad, battery - 6.0 x 10.0 in	
34	60369	1	Washer, M12 external star	
35	60019	1	Screw, M12 - 1.75 x 20 sflg hex, G8.8	
36	31625	1	Cable, battery - 46 in. 2GA black post, 1/2 in. lug	
37	31580B	1	Cover, battery box	

TRAILER ASSEMBLY

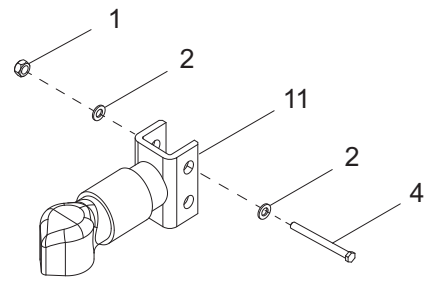
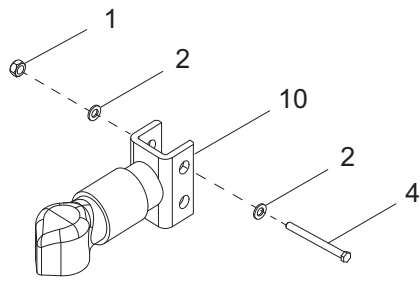
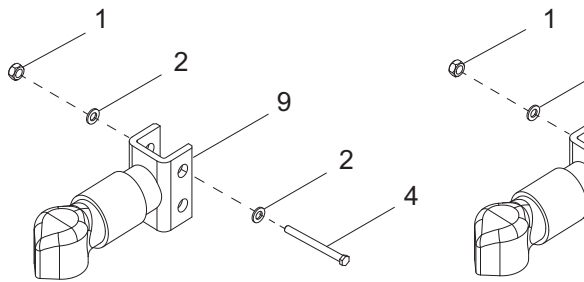
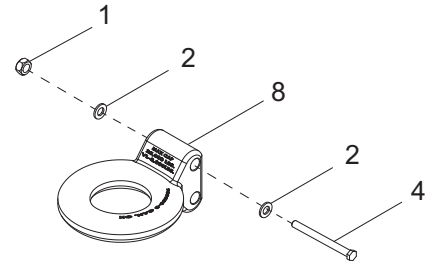
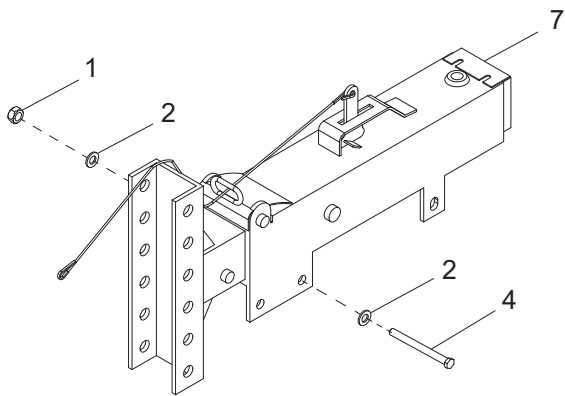
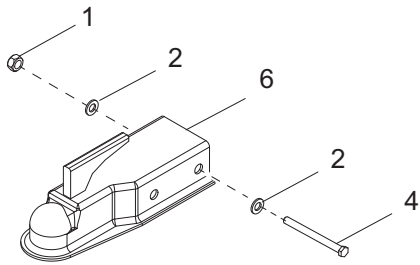
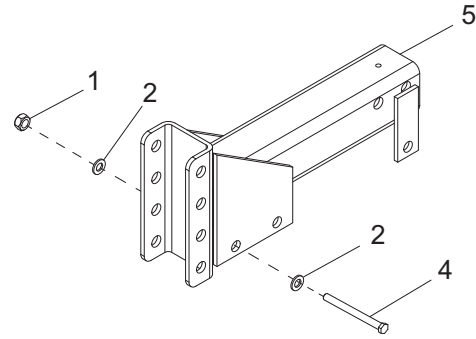
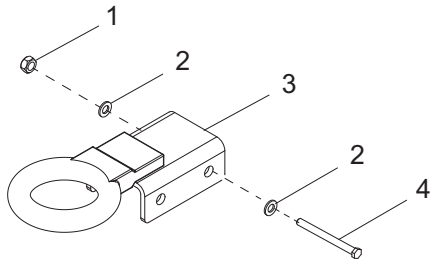


01344

TRAILER ASSEMBLY

Item	Part No.	Qty	Description	Notes
1	22743B	2	Fender, single wheel	
2	24811B	1	Weldment, trailer chassis - flip tongue	
3	61036	8	Screw, .375-16 x 1.25 std hex, SS	
4	60698	16	Washer, .375 flat .875/.040, SS	
5	60358	8	Nut, .375-16 nylock, G5	
6	18377	2	Wheel, ST225/75R15, 2540 lb	
7	60096	12	Nut, .500-20 lug, G5	
8	60503	6	Screw, shackle .562-18 x 3.0 std hex, G5	
9	60504	6	Nut, .562-18 lock hex, G5	
10	19637	4	Plate, shackle bracket - 3.125	
11	<i>Page 38</i>	1	Assembly, axle	
12	12647	1	Cable, tether - jack pin and ground rod cover	
13	23256	1	Pin, jack - 2000 lb, tube-mounted	
14	13051	1	Assembly, jack, 2000 lb top wind, tube-mounted	
15	60376	2	Screw, .500-13 x 4.50 std hex, G5	
16	60416	14	Washer, .500 flat 1.375/.090	
17	23367	2	Chain, safety - 7800 lb	
18	62221	8	Nut, .500-13 nylock, G5	
19	24812B	1	Weldment, tongue - flip non-adjustable actuator	
20	61099	2	Screw, .500-13 x 5.0 std hex, G8	
21	60309	4	Washer, flat 1.060/.090	
22	24304	1	Actuator, hydraulic surge brake - 2 in. ball, 6000 lb	
--	41762	1	O-ring - 24 mm	
23	61104	3	Screw, .500-13 x 5.50 std hex, G8	
24	24691B	1	Brace, tongue shipping	
25	61103	1	Screw, .500-13 x 1.75 sflg hex	
--	24701	1	Assembly, trailer basic	
OPTIONAL FEATURES				
A	30931B	1	Weldment, tongue w/support plate - electric brake	

TRAILER HITCH OPTIONS

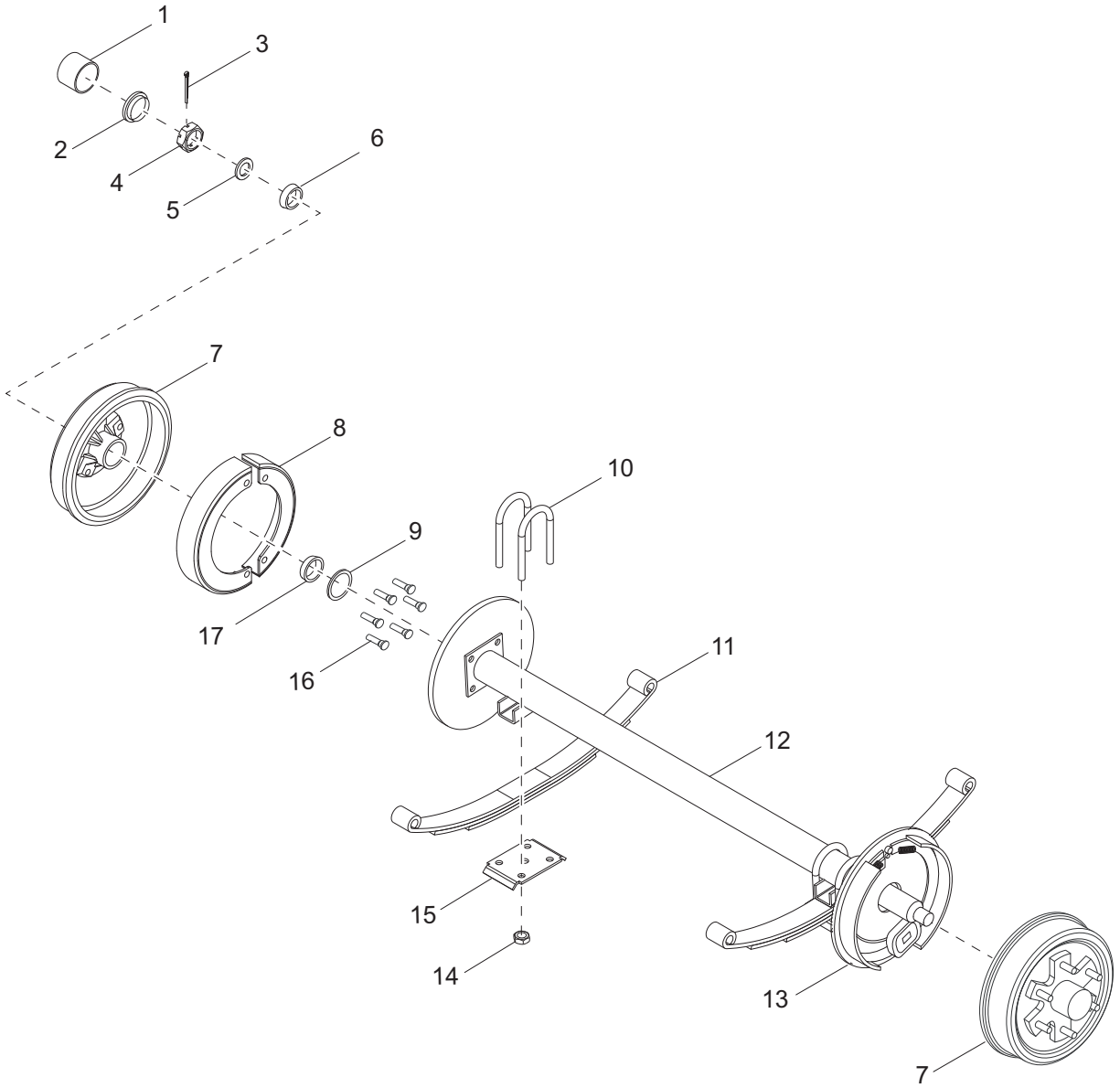


01347

TRAILER HITCH OPTIONS

Item	Part No.	Qty	Description	Notes
1	62221	18	Nut, .500-13 nylock, G5	
2	60309	30	Washer, .500 flat 1.060/.090	
3	11032B	1	Weldment, lunette ring - 3.0 ID	Non-adjustable
4	61099	18	Screw, .500-13 x 5.0 std hex, G8	
5	23162	1	Coupler, 2.0 ball/3.0 channel - 5000 lb	Non-adjustable
6	19379B	1	Weldment, hitch - 4 position, electric brake	Adjustable
7	40529	1	Actuator, hydraulic surge brake - 7500 lb	Adjustable
8	19335B	1	Coupler, lunette ring - 3.0 ID	Requires item 5 or 7
9	19518	1	Coupler, 2.0 ball	Requires item 5 or 7
10	19519	1	Coupler, 2.31 ball	Requires item 5 or 7
11	41795	1	Coupler, 2.31 ball - 12500 lb, Bulldog	Requires item 5 or 7
--	65593	1	Adapter, trailer - 4 pin and 2 pin to 6 pin	Electric Brake
--	65583	1	Adapter, trailer - round 6 pin to round 7 spade	Electric Brake Requires 65593
--	65463	1	Adapter, trailer - flat 4 pin to round 6 pin	Surge Brake
--	65464	1	Adapter, trailer - flat 4 pin to round 7 pin	Surge Brake
--	65465	1	Adapter, trailer - flat 4 pin to round 7 spade	Surge Brake

AXLE ASSEMBLY



01345

AXLE ASSEMBLY

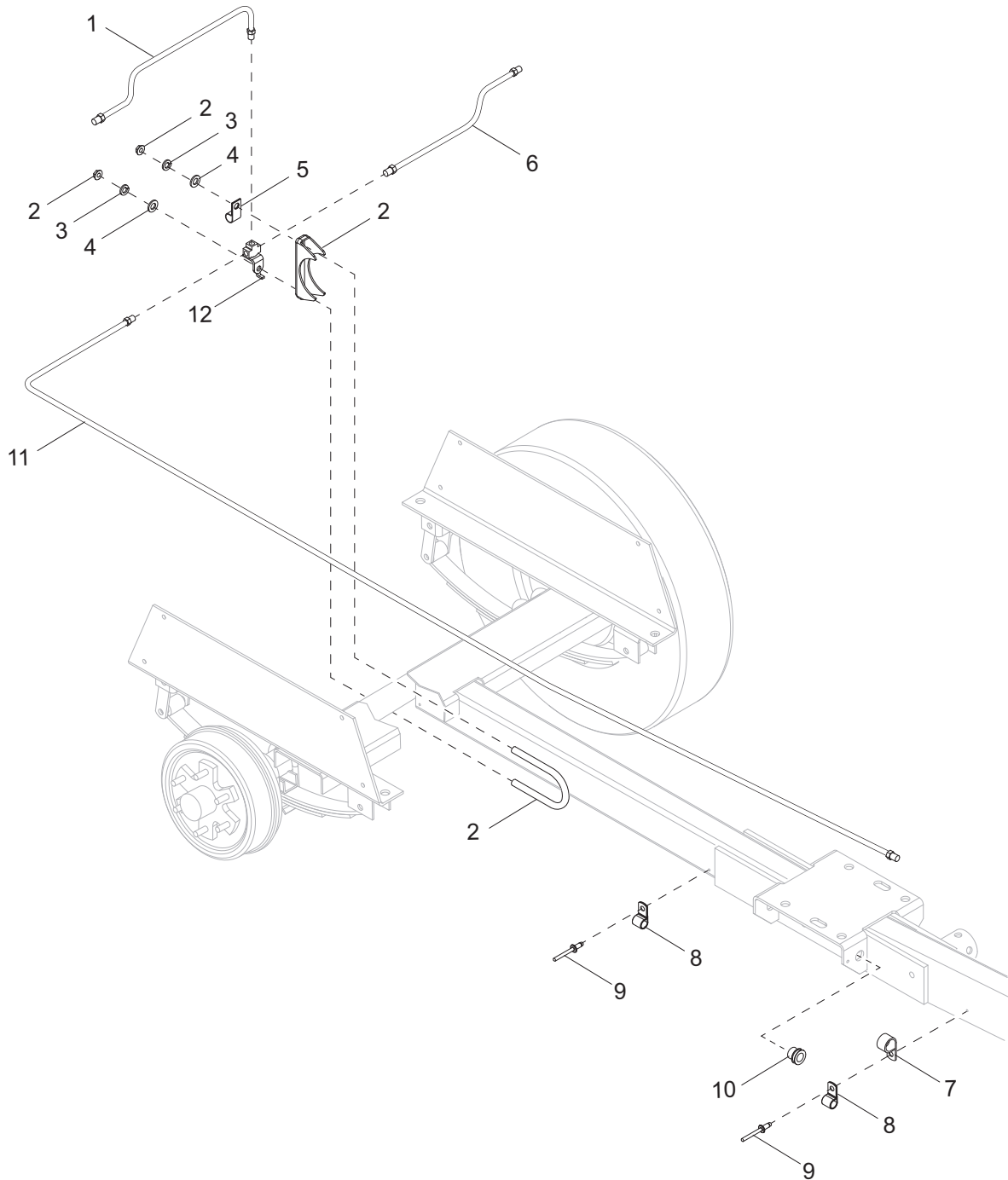
Item	Part No.	Qty	Description	Notes
1	23170	2	Cap, grease - 5000 lb	
2	11254	2	Plug, grease cap - zerk	
3	26583	2	Pin, cotter	
4	12308	2	Nut, spindle	
5	26581	2	Washer, spindle	
6	24831	2	Roller bearing - outer	
7	26452	2	Brake drum - 12 in. 6 on 5.5 in	
8	42338	2	Brake pads	
9	24832	2	Bearing seal, axle	
10	40875	4	U-bolt, axle	
11	23912	2	Spring, 5000 lb axle	
12	22877	1	Axle, 5000 lb hydraulic	
13	26572	1	Assembly, surge brake - right	
	26571	1	Assembly, surge brake - left	
14	26441	8	Nut, U-bolt 1/2-20, plated	
15	40874	2	Tie plate, axle	
16	60963	12	Stud, wheel - .500-20, 5000 lb	
17	24830	2	Roller bearing, inner	
--	24796	1	Assembly, axle, 5000 lb - hydraulic brake	

OPTIONAL FEATURES

Axle - Electric Brake:

--	37094	1	Axle, 5000 lb electric	
--	26573	1	Assembly, electric brake - left	
--	26574	1	Assembly, electric brake - right	

TRAILER BRAKE LINES



01346

TRAILER BRAKE LINES

Item	Part No.	Qty	Description	Notes
1	40495	1	Line, brake .188 x 20.0	
2	61064	1	Clamp, muffler - 3.0 light duty	
3	60341	2	Washer, M8 split lock, SS	
4	60166	2	Washer, M8 flat	
5	61010	1	Clamp, tubing - .375 heavy duty	
6	40494	1	Line, brake .188 x 30.0	
7	16143	4	Clamp, tubing - .500	
8	15626	6	Clamp, tubing - .375 light duty	
9	60231	7	Rivet, .188 dia x .375 to .500 grip	
10	22340	2	Fitting, bushing - 1.0 OD x .750 ID	
11	24688	1	Hose, brake - .188 x 136.0 male/male	
12	19252	1	Fitting, strt - .188 brake line T w/bracket	

RECOMMENDED SPARE PARTS LIST

ENGINE

Alternator, engine.....	52214
Belt, fan	52213
Cap, fuel fill.....	23707
Dipstick,	52215
Element, air filter	22874
Fan, pusher	31410
Filter, fuel	52217
Filter, oil	52212
Hose, radiator - lower	31440
Hose, radiator - upper.....	31439
Pump, fuel	31451
Sensor, temp, valve cover	52220
Sensor, temp	52221
Sensor, low coolant	68206
Sensor, oil pressure, valve cover.....	52224
Sensor, oil pressure.....	52223
Starter, engine	52219

PUMP

Belt, compressor.....	31432
Compressor, air	49267
Element, compressor air cleaner.....	31631
Gasket, compressor	49421
Impeller.....	52114
Mechanical seal	52126
Wear Ring.....	52107

ELECTRICAL

Controller, LOFA 750	31503
E-stop switch	65470
E-stop contact NO/NO	65584
Glow relay.....	66455

TRAILER

Chain, safety.....	23367
Light, clearance marker - amber.....	65407
Bulb	65661
Jack, side wind (rear)	41133
Jack, top wind (tongue)	13051
Lens, amber.....	66373
Light, rear tail left	49627
Light, rear tail right.....	49626
Nut, lug	60096
Wheel, tire	18377

